

- contacting switching devices which secure the safe disconnecting distance in accordance with requirements determined for the disconnecting switches by a technical standard in OFF position
- they serve to disconnect the electric device after disconnection of performance switches visibly
- they disconnect the sections, whole networks, machines and devices for the purposes of repairs, revisions etc.
- they are assembled into the internal switching rooms
- **meet:** EN 60 694, EN 60 271-102
- **rated frequency:** 50 Hz
- **protection mode:** IP 00 (EN 60 529)
- **insulators:** epoxy (surface route: 775 mm)
- **current conducting parts:** Cu
- **bus bars:** Cu, Al
- **control:** manual, electromotive

TECHNICAL DATA

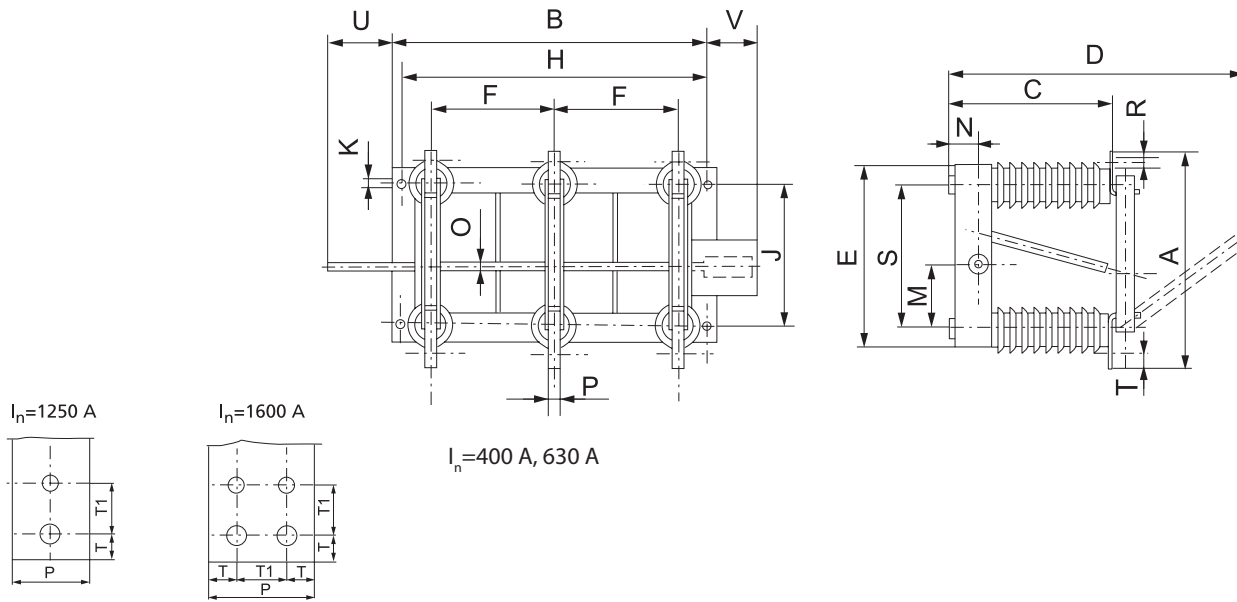
Rated voltage, kV	Rated voltage with the atmospheric pulse, kV		Rated 1 min. short-term holding AC voltage of the industrial frequency, kV	
	Against the earth, between poles and disconnected contacts	In the disconnecting route	Against the earth, between poles and disconnected contacts	In the disconnecting route
38,5	180	210	80	90

Type designation	Rated voltage, kV	Rated current, A	Nom. short-term current 1 s, kA	Nom. dynamic current, kA
OCD/OCDZ 38,5/400-30	38,5	400	16	40
OCD/OCDZ 38,5/630-30	38,5	630	25	63
OCD/OCDZ 38,5/1250-30	38,5	1250	25	63
OCD/OCDZ 38,5/1600-30	38,5	1600	25	63

Type designation	Weight* without the earther, kg	Weight* with the earther, kg
OCD/OCDZ 38,5/400-30	62	83
OCD/OCDZ 38,5/630-30	65	85
OCD/OCDZ 38,5/1250-30	73	90
OCD/OCDZ 38,5/1600-30	76	100

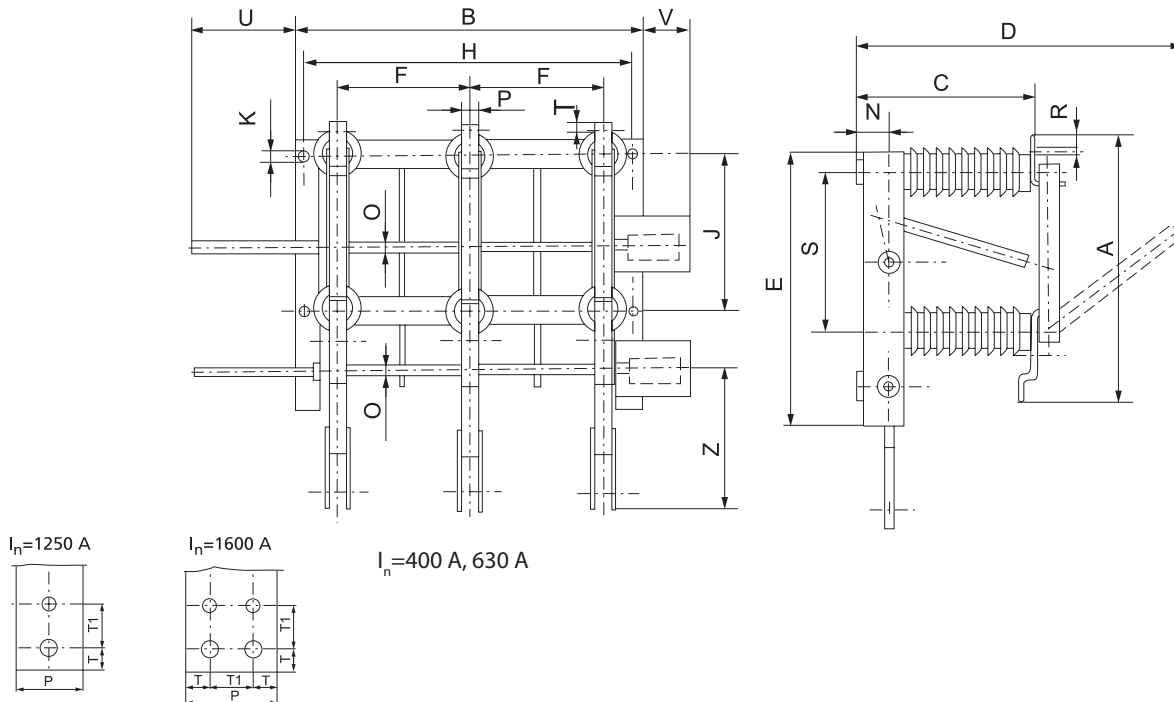
* Weight of the basic version without accessories

Three-pole disconnecting switches OCD



Type	kg	A	B	C	D	E	F	H	J	K	M	N	O	P	R	S	U	V	T	T1
OCD 38,5/400-30	72	770	1160	453	920	600	450	1120	500	∅18	160	73	∅25	40	M12	500	187	115	20	-
OCD 38,5/630-30	75	770	1160	453	920	600	450	1120	500	∅18	160	73	∅25	40	M12	500	187	115	20	-
OCD 38,5/1250-30	83	830	1160	455	920	600	450	1120	500	∅18	160	73	∅25	60	M12	500	187	115	20	40
OCD 38,5/1600-30	86	830	1160	455	920	600	450	1120	500	∅18	160	73	∅25	80	M12	500	187	115	20	40

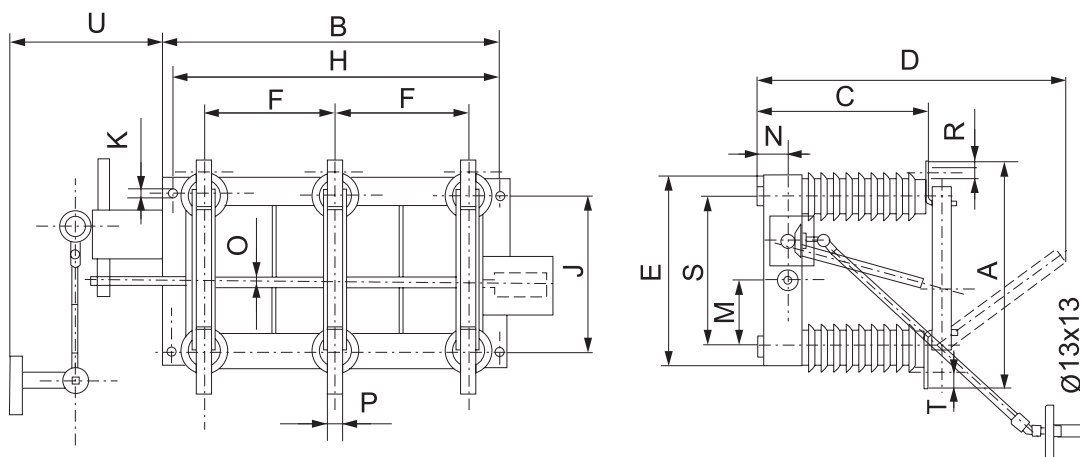
Three-pole disconnecting switches OCDZ



Type	kg	A	B	C	D	E	F	H	J	K	N	O	P	R	S	U	V	Z	T	T1
OCDZ 38,5/400-30	83	830	1160	453	920	840	450	1120	500	∅18	73	∅25	40	M12	500	187	115	365	20	-
OCDZ 38,5/630-30	85	830	1160	453	920	840	450	1120	500	∅18	73	∅25	40	M12	500	187	115	365	20	-
OCDZ 38,5/1250-30	90	860	1160	541	920	840	450	1120	500	∅18	73	∅25	60	M12	500	187	115	-	20	40
OCDZ 38,5/1600-30	100	860	1160	541	920	840	450	1120	500	∅18	73	∅25	80	M12	500	187	115	-	20	40

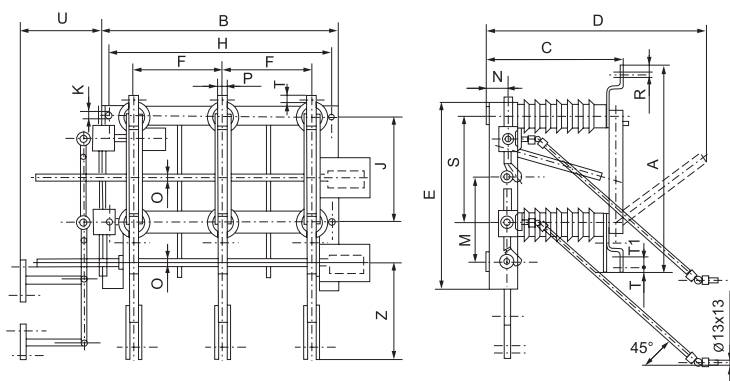
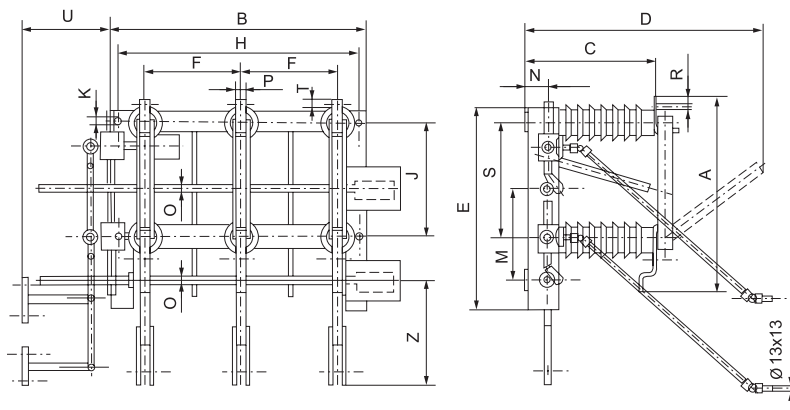
Disconnecting switches type OCD, OCDZ

Three-pole disconnecting switches OCD with the ETMP drive



Type	kg	A	B	C	D	E	F	H	J	K	M	N	O	P	R	S	U	T	T1
OCD 38,5/400-30	72	770	1380	453	920	600	450	1120	500	Ø18	160	73	Ø25	40	M12	500	65	20	40
OCD 38,5/630-30	75	770	1380	453	920	600	450	1120	500	Ø18	160	73	Ø25	40	M12	500	65	20	40
OCD 38,5/1250-30	83	830	1380	453	920	600	450	1120	500	Ø18	160	73	Ø25	60	M12	500	65	20	40
OCD 38,5/1600-30	86	830	1380	453	920	600	450	1120	500	Ø18	160	73	Ø25	60	M12	500	65	20	40

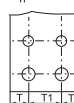
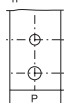
Three-pole disconnecting switches OCDZ with the ETMP drive



$I_n=1250\text{ A}$

$I_n=1600\text{ A}$

$I_n=400\text{ A}, 630\text{ A}$



Type	kg	A	B	C	D	E	F	H	J	K	M	N	O	P	R	S	U	T	T1	T2	Z
OCDZ 38,5/400-30	83	830	1380	453	920	840	450	1120	500	Ø18	160	73	Ø25	40	M12	500	65	20	-	-	365
OCDZ 38,5/630-30	85	830	1380	453	920	840	450	1120	500	Ø18	160	73	Ø25	40	M12	500	65	20	-	-	365
OCDZ 38,5/1250-30	90	860	1380	541	920	840	450	1120	500	Ø18	160	74	Ø25	60	M12	500	65	20	40	-	365
OCDZ 38,5/1600-30	100	860	1380	541	920	840	450	1120	500	Ø18	160	74	Ø25	60	M12	500	65	20	40	20	365