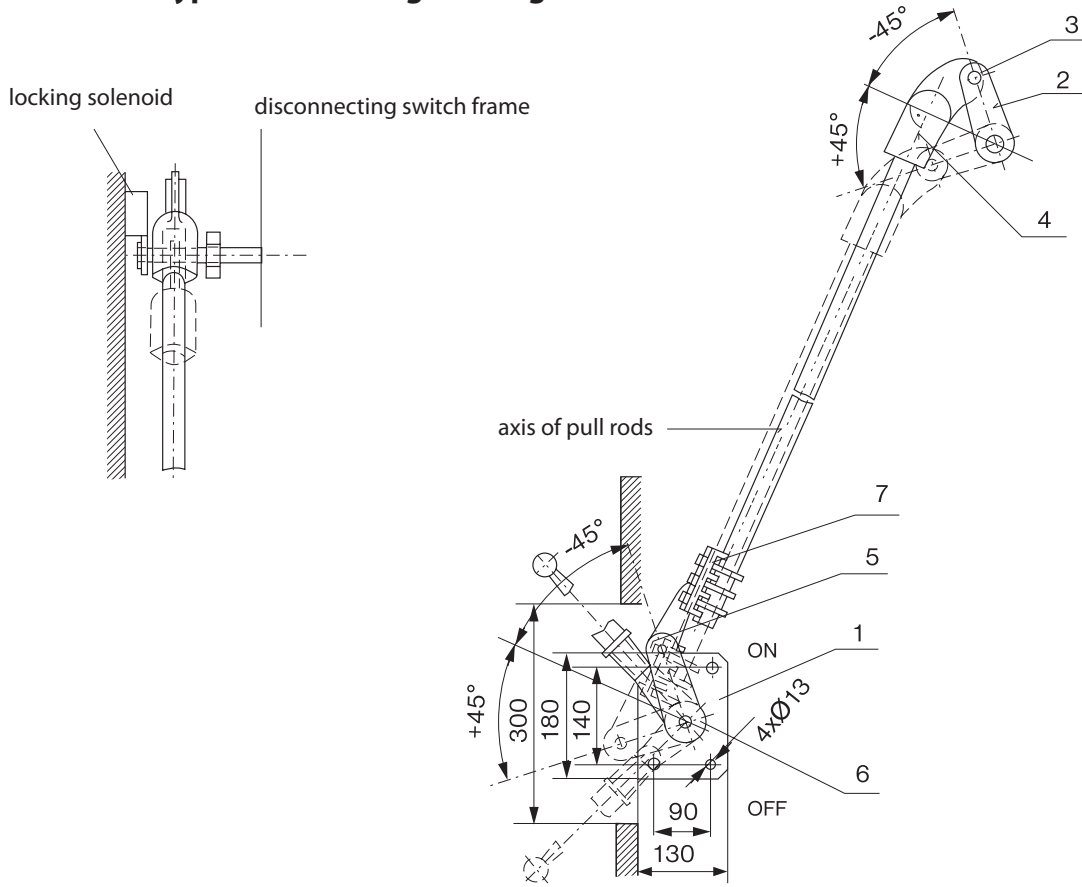
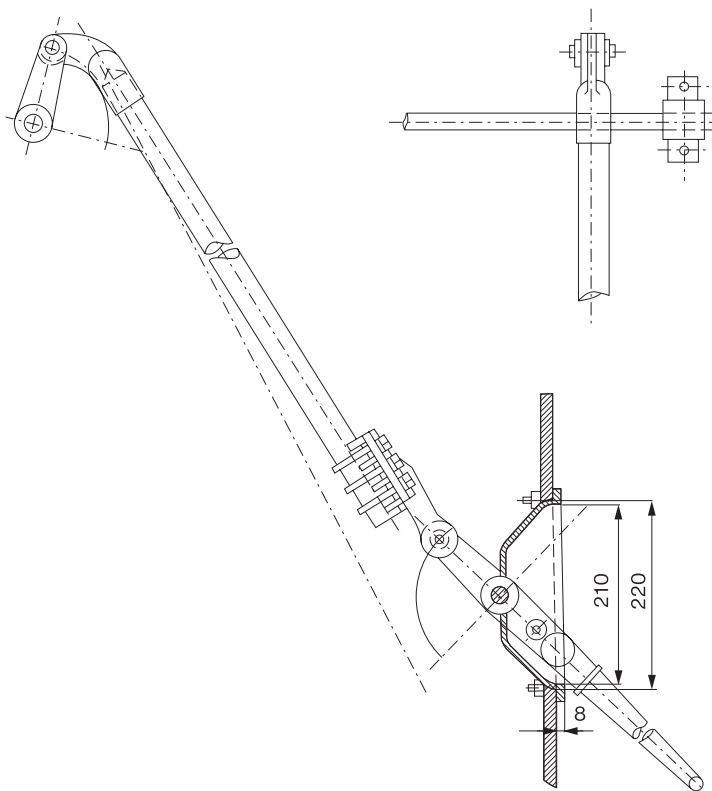


## Manual drives for the disconnecting switches of the OMI, OMZI, OCD and OCDZ type

**Manual drive type RP 1    Weight: 14 kg**

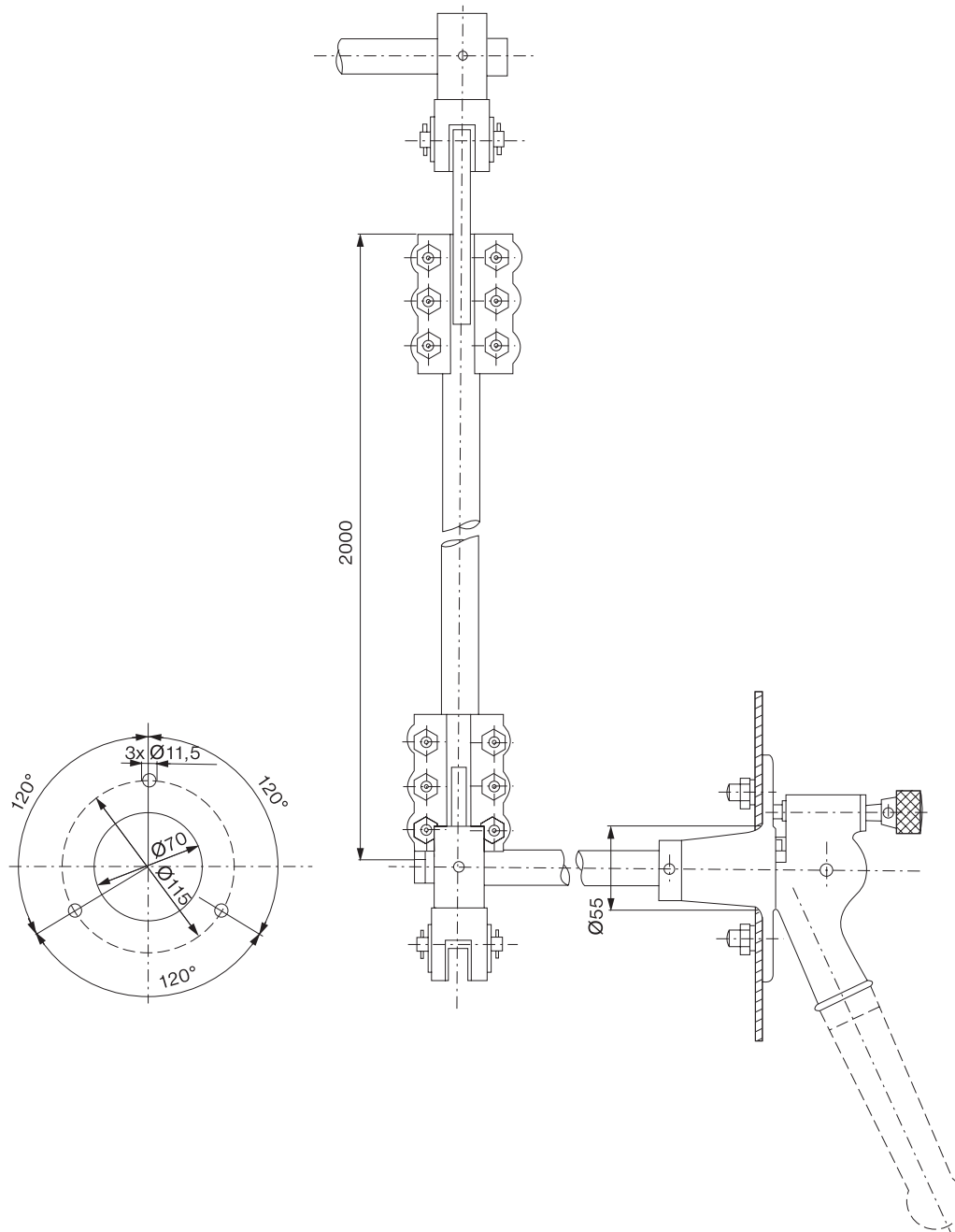


**Manual drive type RP 3    Weight: 13 kg**



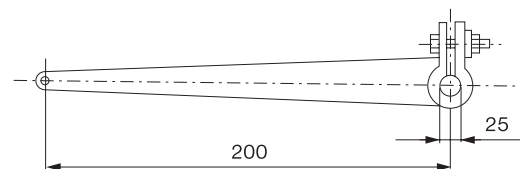
Manual drive type RP 5

Weight: 13 kg



**Single-arm handle**

- it is use by switching with disconnecting rod



**Switching gripe**

- for manual drives RP 1, RP 3

