

LOCKING SOLENOIDS

for the OMI, OMZI, OCD and OCDZ disconnecting switches

- electromagnetic locking of the manual drives in both end positions (disconnecting switches without voltage)
- for short-term load

- rated values of the locking solenoid voltage of the BLM types:

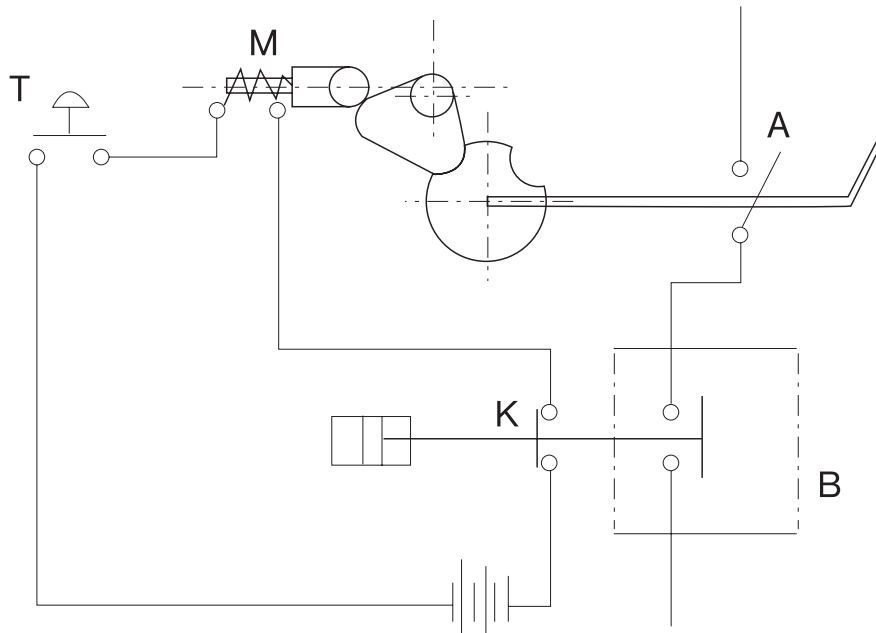
DC voltages: 24, 48, 60, 110, 220 V

AC voltages: 110, 220 V

- Weight: 4 kg

Function of the locking solenoid

With the manual drive, the electromagnetic locking of the disconnecting switch does not allow to switch-off the disconnecting switch when the performance switch incorporated behind this disconnecting switch is ON and it does not allow to switch-on the disconnecting switch with switched-on performance switch too. So, the electric solenoid locks both end positions of the disconnecting switch (ON/OFF). After switching-off the B performance switch the K auxiliary contact connects the M electric solenoid coil current circuit. This unlocks the drive of the A disconnecting switch. The T push-button is incorporated into the electric solenoid coil circuit close to the lever drive to prevent from the M electric solenoid coil with the B switched-off switch being under voltage permanently.



Assembly

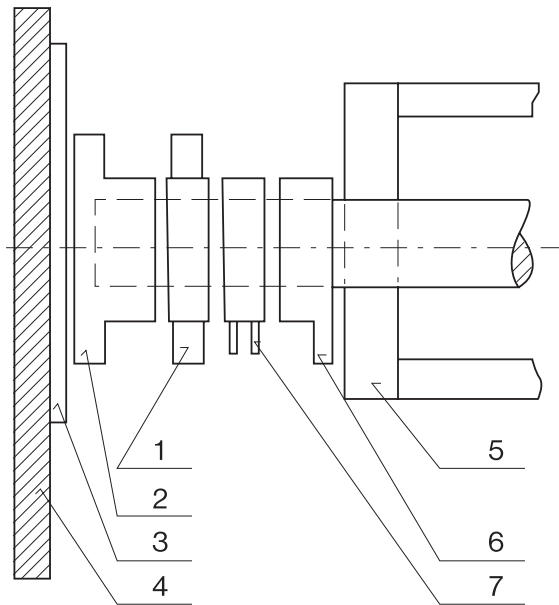
In principle, the BLM is assembled onto the cell wall. Before assembling the disconnecting switch into the cell, the locking cam is to be assembled first so that it is fastened to the free shaft end where it is locked.

NOTE:

The locking magnet is delivered as independent accessories of the disconnecting switch with the manual drive inclusive of the locking cam. The project designer of the switching room shall determine include its location and fastening in the documentation. The locking solenoid shall be assembled vertically so that the locking segment shall join the cam by gravity and the barrier shall not prevent from free movement of the segment.

The locking electric solenoids BLM are designed for short-term load.

Arrangement of accessories when using the BLM with lever drive



- 1 – supporting bearing E 8554
- 2 – cam BLM
- 3 – frame BLM D 0733
- 4 – cell wall
- 5 – disconnecting switch frame
- 6 – control lever E 2745 for the center lines
- 7 – control lever for manual drive E 1226

Assembly of the locking solenoid

