

### Internal fuse base type PS

The fuse bases are designed to assemble the medium voltage fuses. They are used mainly in the transition places of aerial line to cable line or for transformer connection.

The internal fuse base PS may be provided with supporting insulators produced from cycloaliphatic resin, or with over-voltage leads-in. The basic frame is produced from stainless steel bent sheet. The current conducting path is produced from galvanically silvered electrolytic copper.

The fuse bases are designed for the fuses in accordance with IEC 282-1.

They may be produced in single-pole or three-pole version or assembled together with the disconnecting switch.

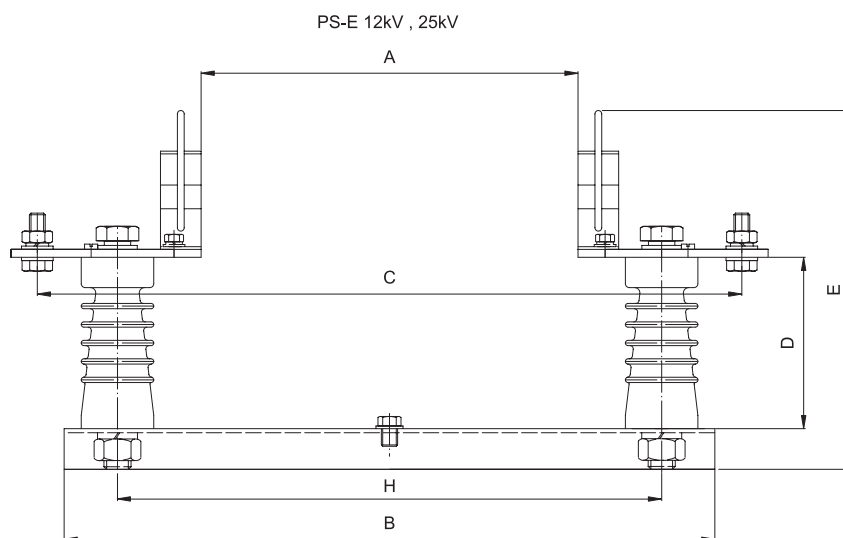
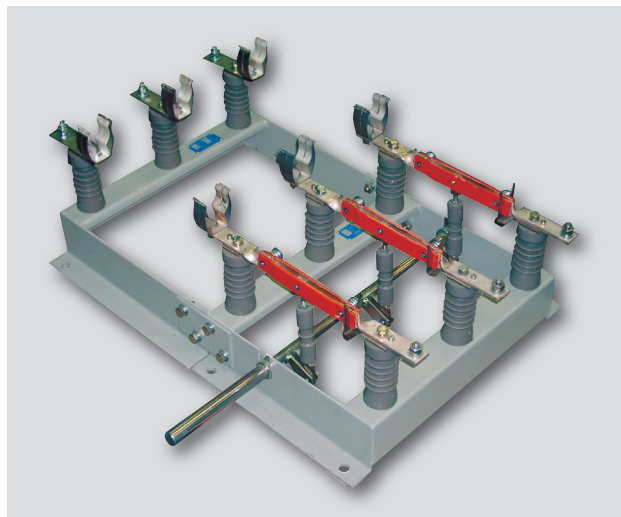
### TECHNICAL DATA

**Rated voltage:** 12, 25 kV

**Rated current:** up to 100 A - for rated current 100 A and rated voltage 24 kV it is possible to use fuse with max. dissippable power of 180 W

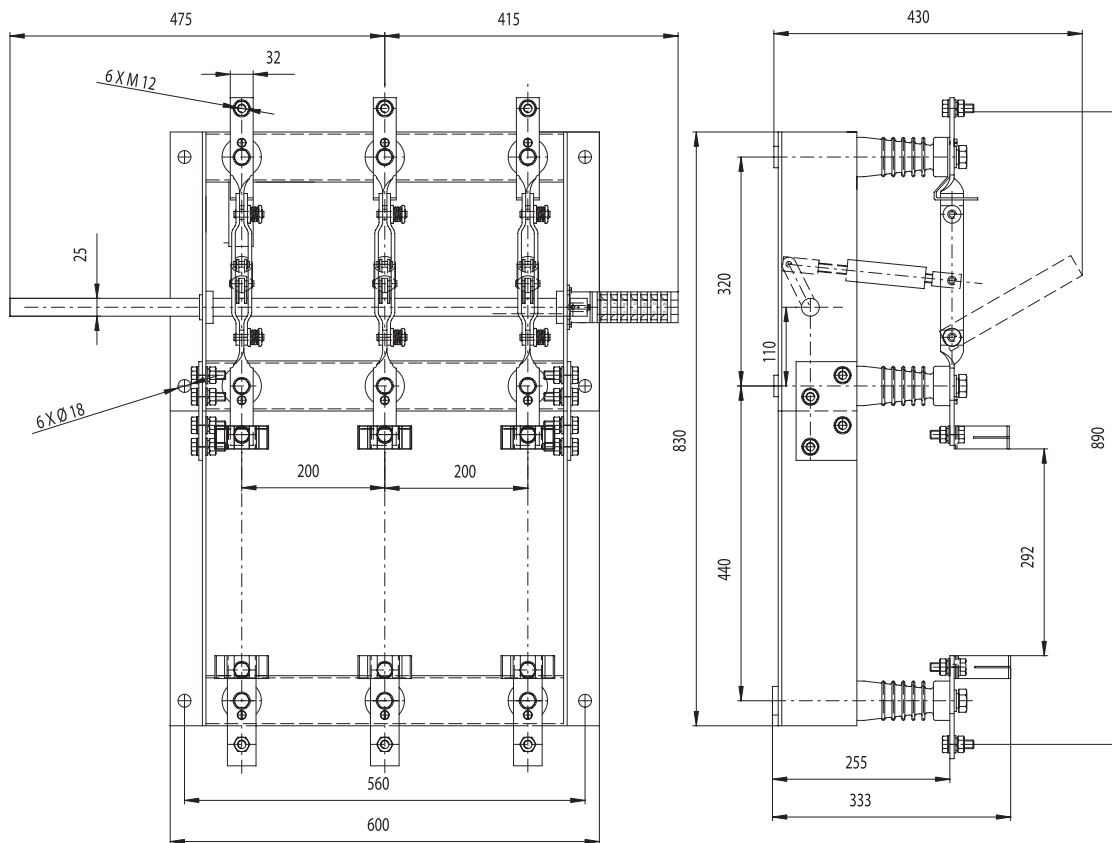
**Type and dimension:** in accordance with DIN 43625 and IEC 282-1

### OMI with fuse base

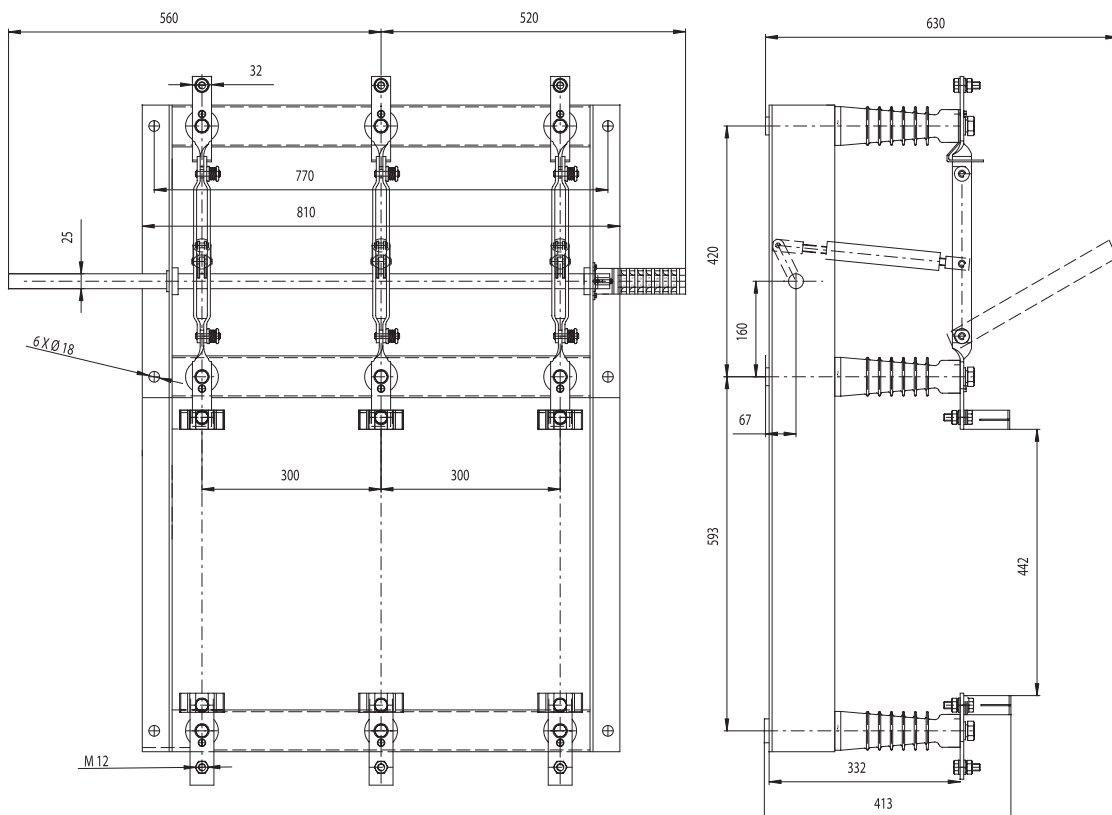


Type / Dimension	A	B	C	D	E	H
PS - E 12 kV	292	510	562	130	270	440
PS - E 25 kV	442	663	715	210	350	593

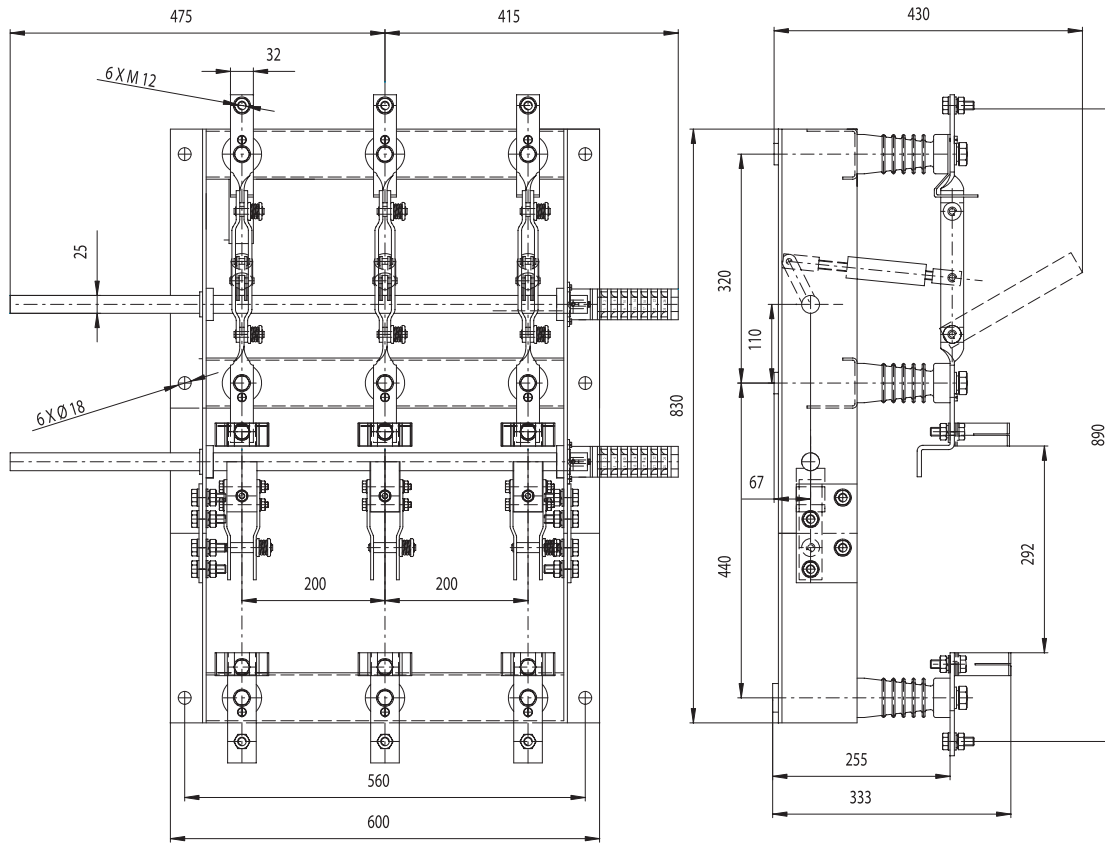
## Three-pole disconnecting switch OMI 12/400 - 30 L with a fuse frame



## Three-pole disconnecting switch OMI 25/400 - 30 L with a fuse frame



## Three-pole disconnecting switch OMZI 12/400 - 30 L with a fuse frame



## Three-pole disconnecting switch OMZI 25/400 - 30 L with a fuse frame

