

Supply voltage: AC 230V. Function delay OFF responding to make of control button – protection against fixing of button (for example with match).

Time range: 0,5 – 10 min. Operation switch: AUTO – normal function acc. to set time

OFF – permanent off (e.g. service of lights)

ON – permanent on (e.g. service)

Time setting via potentiometer. Output contact relay 16 Amp: load up to 4000 VA / AC1. Glow-lamps in button possible.

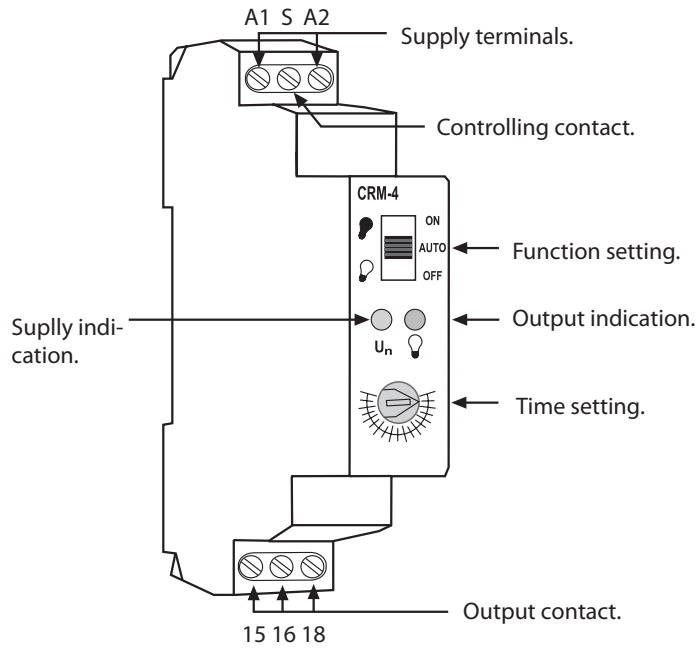
Technical data

Function	delay off
Supply	A1 - A2
Supply voltage	AC 230V / 50 60Hz
Consumption	AC max. 12VA / 1,8W
Supply voltage tolerance	-15%; +10%
Supply indication	green LED
Time ranges	0,5 - 10 min
Time setting	potentiometer
Time deviation	10% mechanical setting
Repeat accuracy	5% - set value stability
Temperature coefficient	0,05%/°C, at 20°C
Output	
Number of contacts	1 x changeover
Rated current	16A/AC1
Breaking capacity	4000VA/AC1, 384W/DC
Inrush current	30A/ <3s
Switching voltage	250V AC1 / 24V DC
Min. breaking capacity DC	500mW
Output indication	red LED
Mechanical life	3 x 10 ⁷
Electrical life	0,7 x 10 ⁵
Controlling	
Control. voltage	AC 230V
Consumption of input	AC 0,53VA
Load between S-A2	yes
Glow tubes	yes, max. 20 pcs at 1mA
Control. terminals	A1 - S
Impulse length	min. 25 ms / max. unlimited
Reset time	max. 150 ms
Operating temperature	-20 ... +55°C
Storage temperature	-30 ... +70°C
Electrical strength	2,5kV
Operating position	optional
Mounting	DIN rail EN 60715
Protection degree	IP40 from the front panel
Overvoltage category	III.
Pollution degree	2
Max. cable size	2,5 mm ²
Dimensions	90 x 17,6 x 65 mm
Weight	53 g
Standards	EN 61812-1, EN 50081, EN 61010-1

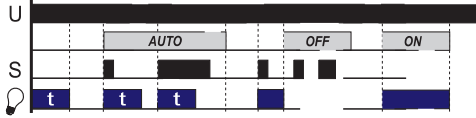


Ordering code	CRM4000
---------------	---------

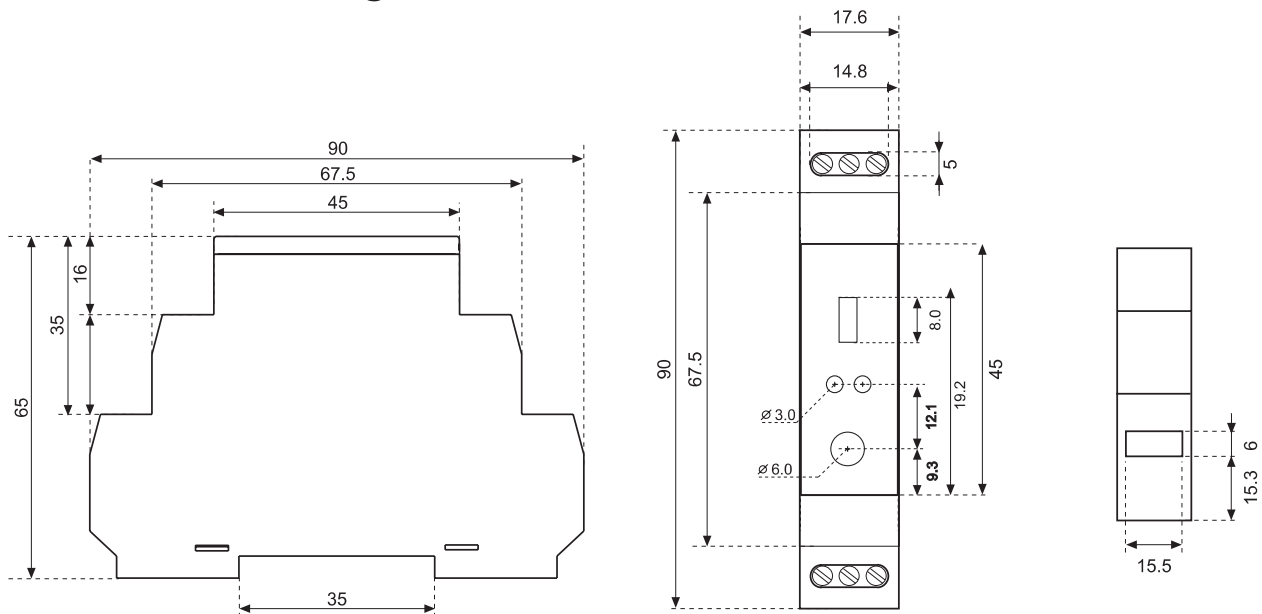
Description



Operation diagram

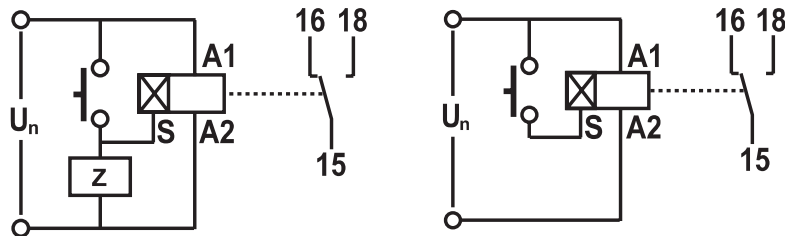


Dimensional drawing of CRM-4

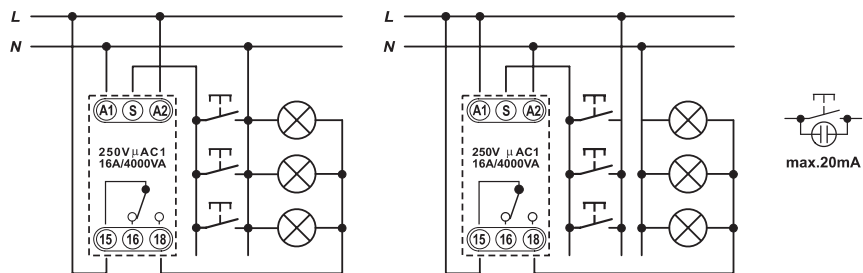


Connection scheme

Load between S-A2 possible
(e.g. contactor, relay, signal lamps)



Circuit connection



Examples of application

- for multiway control on staircases, vestibules ...
- simple setting with possibility of permanent ON/OFF by the changeover switch on the front side of the device

