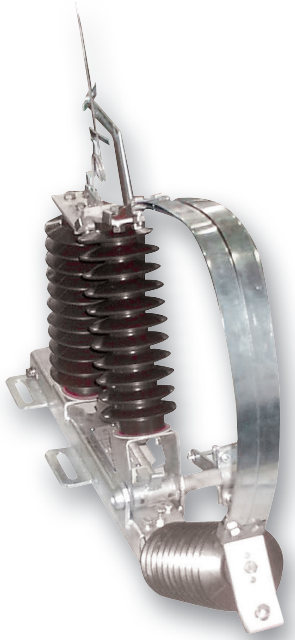


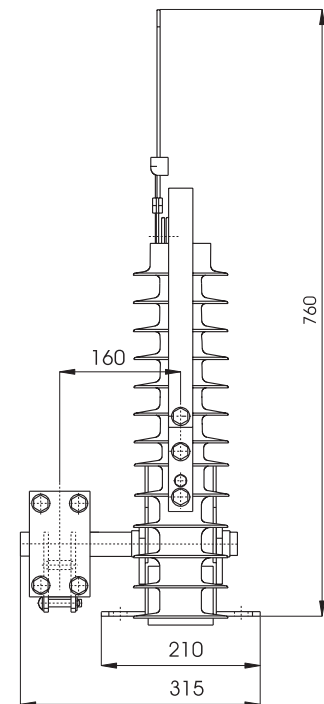
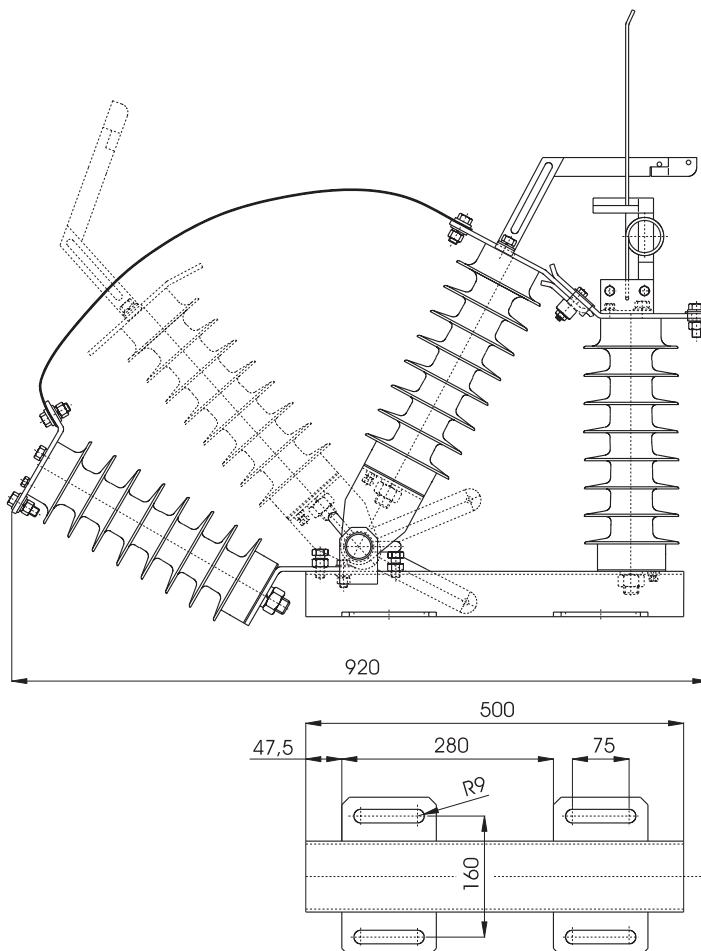
- for switching the external medium voltage lines to the values of rated tripping current
- in compliance with: EN 60 265-1
- UVE-Ž - disconnecting switch
- UVE-Ž-U - disconnecting switch with grounding switch
- UVE-Ž-UI - disconnecting switch with insulated grounding switch
- disconnectors are weather resistant and the functionality is guaranteed for up to 20mm of ice accretion.



## TECHNICAL DATA

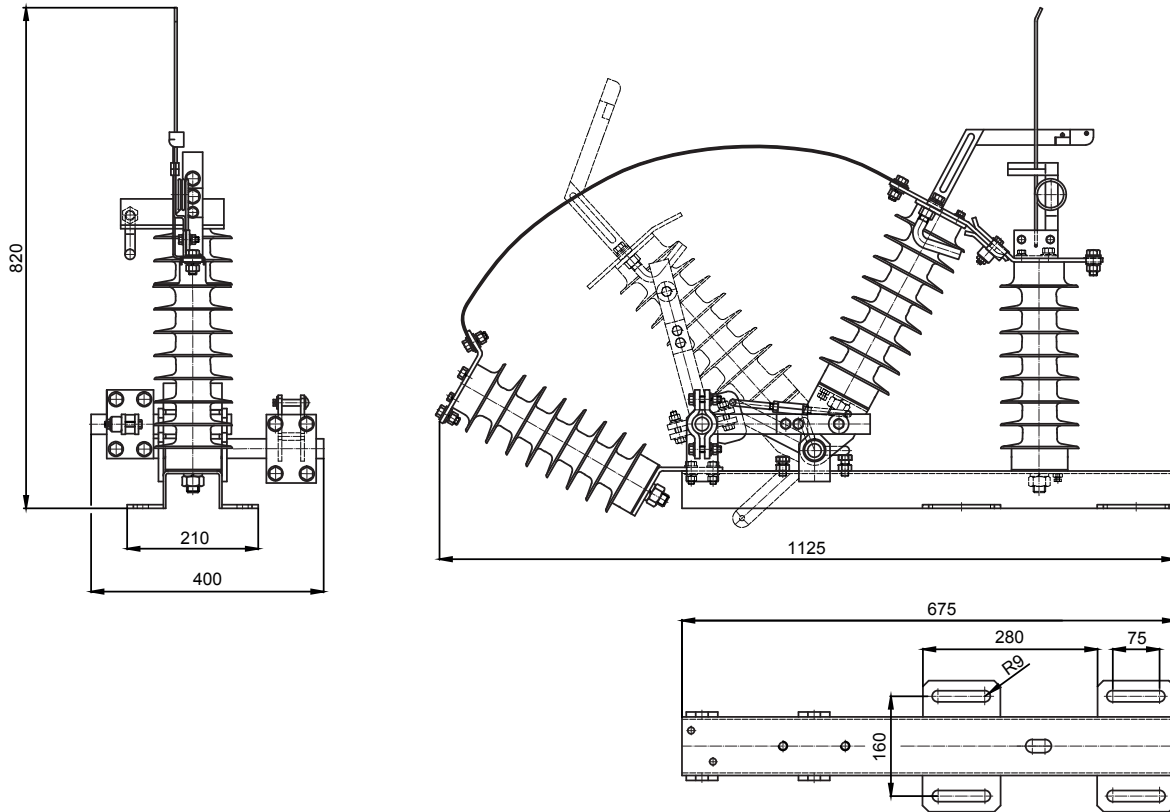
Rated voltage	25 kV, 38,5 kV
Rated current	400 A, 630 A, 1000 A, 2000 A
Release current	33 A
Maximum wire section	120 mm
Weight	25 kg, 33 kg
Rated dynamic current	40 kA
Rated thermal current 1 s	16 kA
Durability	30 years

## Single-pole disconnecting switch UVE - Ž 25/400 - 10



Winch on the left

## Disconnecting switch UVE - Ž - U



## Disconnecting switch UVE - Ž - UI

