

contacting switching devices securing the safe disconnecting distance in accordance with requirements determined for the disconnecting switches by a technical standard in OFF position

- used for visible disconnection of electric device after disconnection of performance switches 12kV a 25kV.
- used for disconnection of the sections, whole networks, machines and devices for the purposes of repairs, revisions etc.
- they replace the types OM and OMZ
- can be assembled into cells of internal distributions, ambient temperature from -5°C up to 40°C altitude up to 1000 m
- can be assembled in horizontal or vertical position

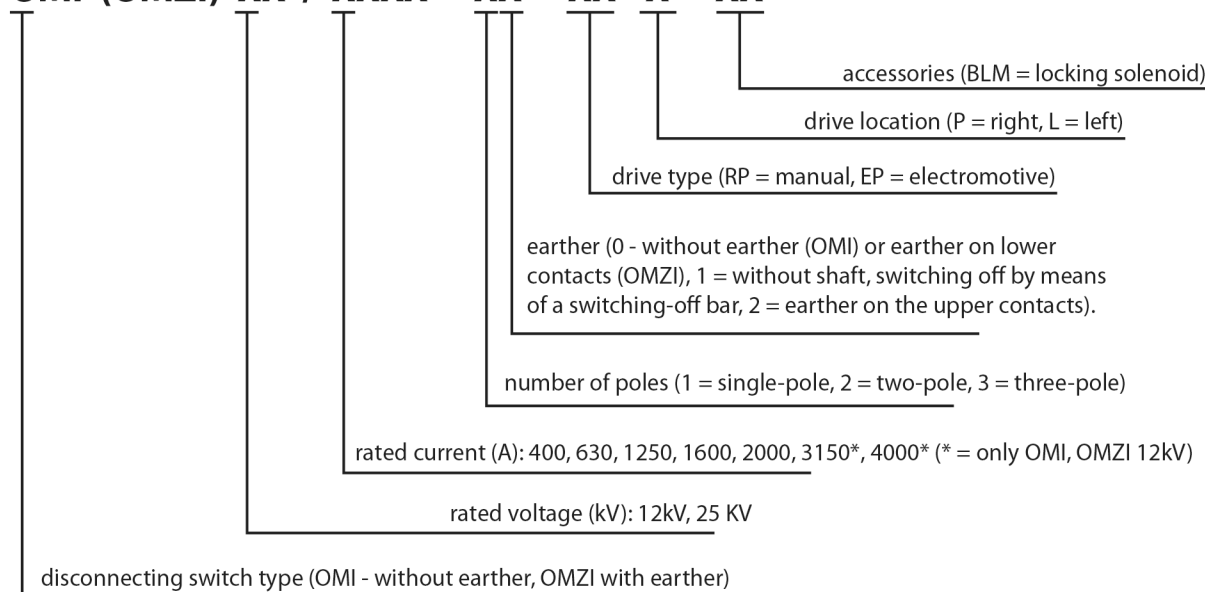
Comply with EN 60 271-102

Degree of protection: IP 00 (EN 60 529)

- Insulators: epoxy, porcelain
- current conducting parts: Cu galvanically silvered
- busbars: Cu, Al
- possibility to produce the version for heavy climatic conditions
- control: - manual or electromotive

TYPE DESIGNATION

OMI (OMZI) XX / XXXX - XX - XX - X - XX



DESIGNATION EXAMPLES:

Example 1: OMI 25 / 1250 30 EPU L

- Disconnecting switch for 22 kV, 1250 A, three pole, EPU drive (The project designer shall specify the supply voltage and emergency control mode).

Example 2: OMI 12 / 630 30 RP1 L BLM

- Disconnecting switch for 12 kV, 630 A, three pole, manual drive located in the left and provided with locking solenoid. (The project designer shall specify the rated voltage of the BLM locking solenoid and supporting bearing location mode).

Example 3: OMZI 12 / 3150 30 EPU P

- Disconnecting switch for 12 kV, 3150 A, three pole, EPU drive for main knives located in the left, the EPU drive for earthing knives located in the right (The project designer shall specify the supply voltage, number and length of handling bar ESPA 415.3. The standard length of the handling bar is 3000 mm).

Example 4: OMZI 25 / 400 32 ETMP L

- Disconnecting switch for 22 kV, 400 A, three pole, ETMP drive for main knives located in the left, the ETPM drive for earthing knives located in the right (The project designer shall specify the supply voltage, number and length of handling bar ESPA 415.3. The standard length of the handling bar is 3000 mm).

TECHNICAL DATA

Rated voltage, kV	Rated voltage, kV with the atmospheric pulse, kV		Rated 1 min. short-term holding AC voltage of the industrial frequency, kV	
	Against the earth, between poles and disconnected contacts	In the disconnecting route	Against the earth, between poles and disconnected contacts	In the disconnecting route
12	75	85	28	32
25	125	145	50	60

Without the earther

Type designation	Rated voltage, kV	Rated current, A	Nom. short-term current 1 s, kA	Nom. dynamic current, kA	Weight*, kg
OMI 12/400-30	12	400	16	40	20
OMI 12/630-30	12	630	25	63	23
OMI 12/1250-30	12	1250	40	100	51
OMI 12/1600-30	12	1600	40	100	82
OMI 12/2000-30	12	2000	50	125	115
OMI 12/3150-30	12	3150	60	150	130
OMI 12/4000-30	12	4000	80	200	190
OMI 25/400-30	25	400	16	40	36
OMI 25/630-30	25	630	25	63	39
OMI 25/1250-30	25	1250	40	100	71
OMI 25/1600-30	25	1600	50	125	110
OMI 25/2000-30	25	2000	50	125	155

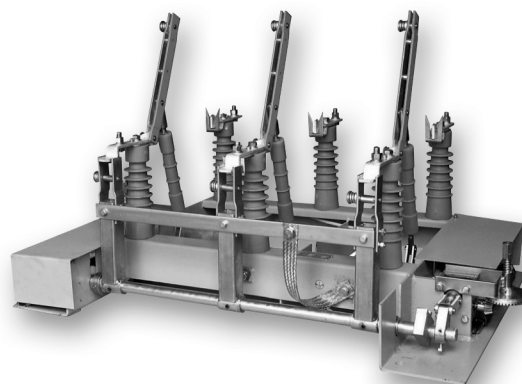
* Weight of the basic version without accessories

With the earther

Type designation	Rated voltage, kV	Rated current, A	Nom. short-term current 1 s, kA	Nom. dynamic current, kA	Weight*, kg
OMZI 12/400-30	12	400	16	40	27
OMZI 12/630-30	12	630	25	63	29
OMZI 12/1250-30	12	1250	40	100	60
OMZI 12/1600-30	12	1600	40	100	95
OMZI 12/2000-30	12	2000	50	125	160
OMZI 12/3150-30	12	3150	60	150	170
OMZI 12/4000-30	12	4000	60	150	230
OMZI 25/400-30	25	400	16	40	42
OMZI 25/630-30	25	630	25	63	44
OMZI 25/1250-30	25	1250	40	100	80
OMZI 25/1600-30	25	1600	50	125	135
OMZI 25/2000-30	25	2000	50	125	180

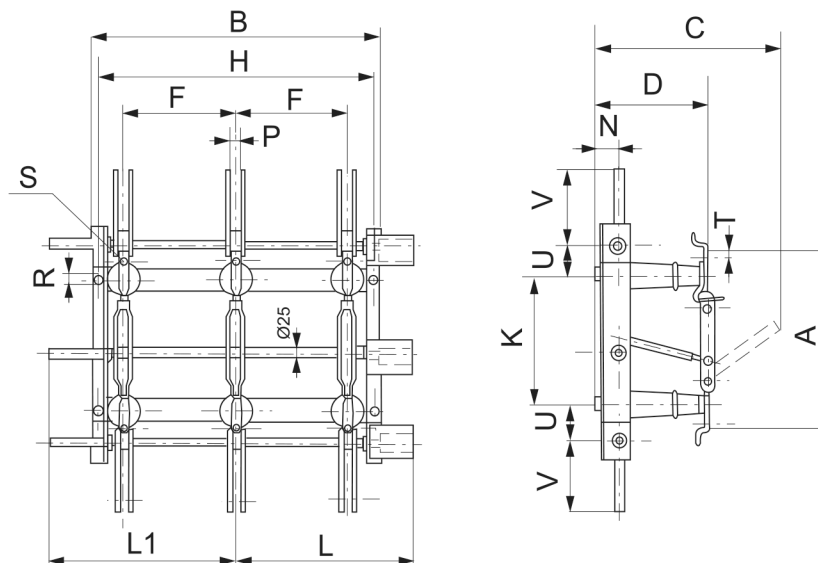
* Weight of the basic version without accessories

OMZI 25/400-30 with ETMP



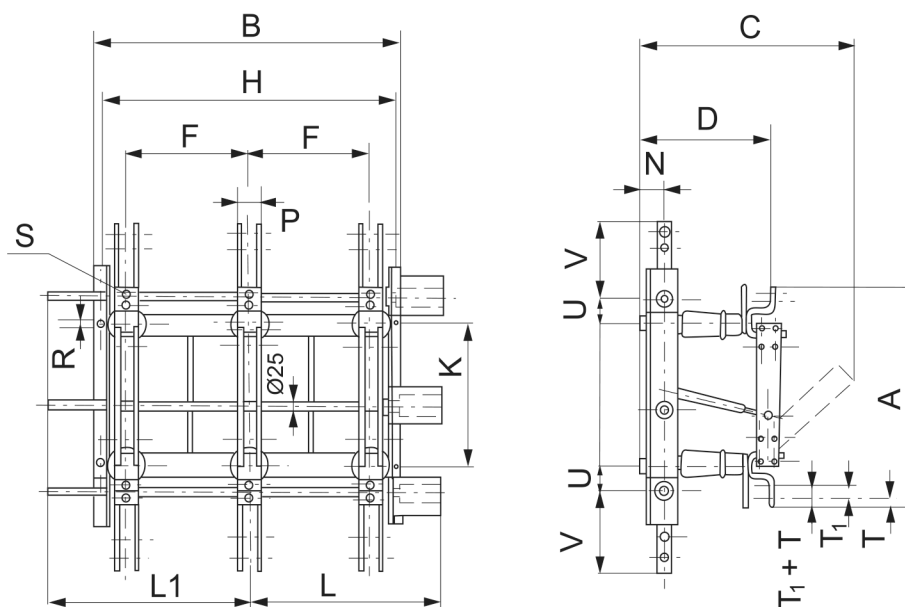
DIMENSIONAL LAYOUTS

Three-pole disconnecting switches 400 and 630 A



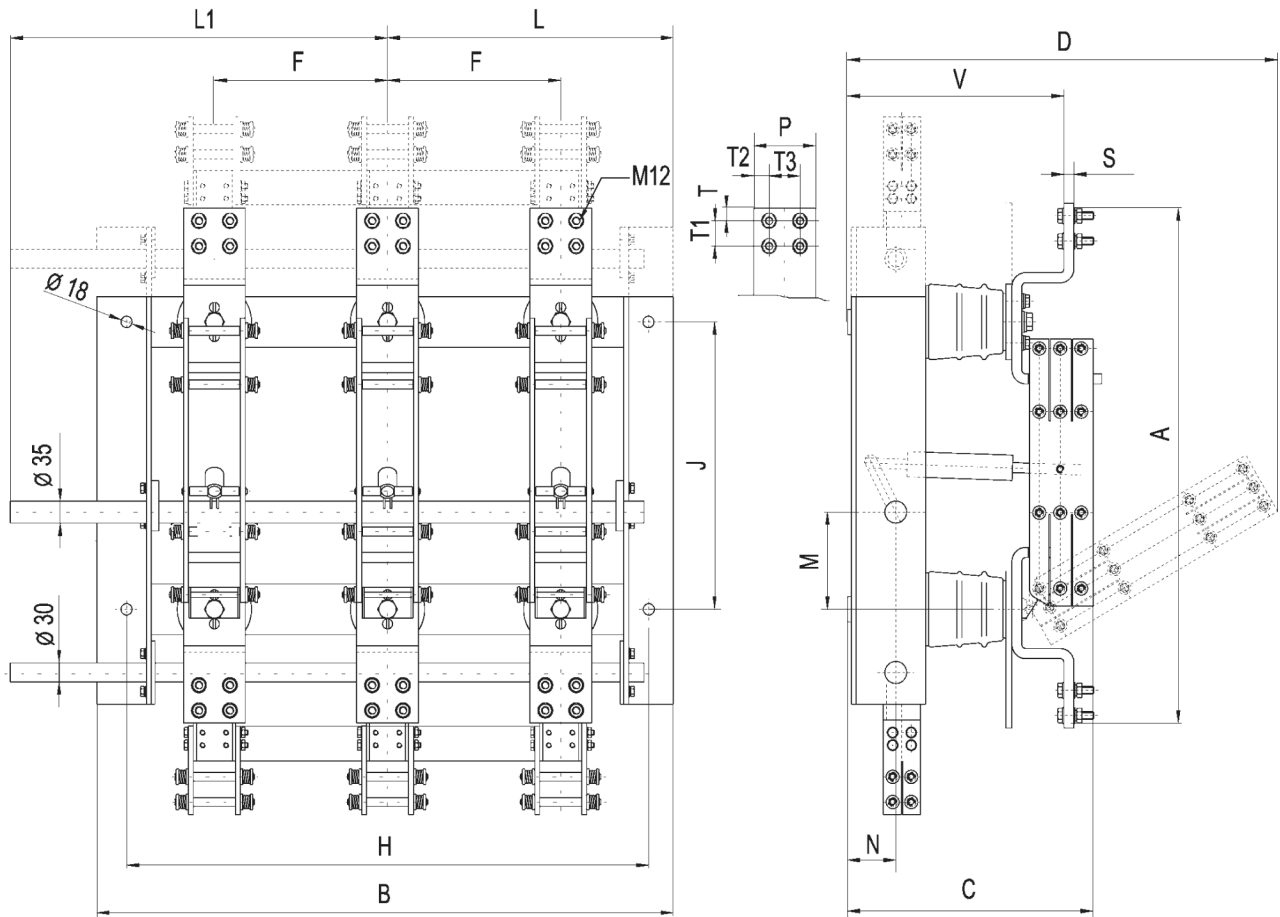
Type	kg	A	B	C	D	F	H	K	L	L1	N	P	R	S	T	V	U
OMI 12/400-30	30	484	600	430	255	200	560	320	415	475	76	32	Ø18	M12	15	-	-
OMI 12/630-30	35	506	600	430	255	200	560	320	415	475	76	40	Ø18	M16	25	-	-
OMI 25/400-30	40	584	810	630	335	300	770	420	520	560	76	32	Ø18	M12	15	-	-
OMI 25/630-30	45	606	810	630	335	300	770	420	520	560	76	40	Ø18	M16	25	-	-
OMZI 12/400-30(32)	48	484	600	430	255	200	560	320	415	475	76	32	Ø18	M12	15	165	110
OMZI 12/630-30(32)	50	506	600	430	255	200	560	320	415	475	76	40	Ø18	M16	25	165	110
OMZI 25/400-30(32)	64	584	810	630	335	300	770	420	520	560	76	32	Ø18	M12	15	260	160
OMZI 25/630-30(32)	66	606	810	630	335	300	770	420	520	560	76	40	Ø18	M16	25	260	160

Three-pole disconnecting switches 1250 A



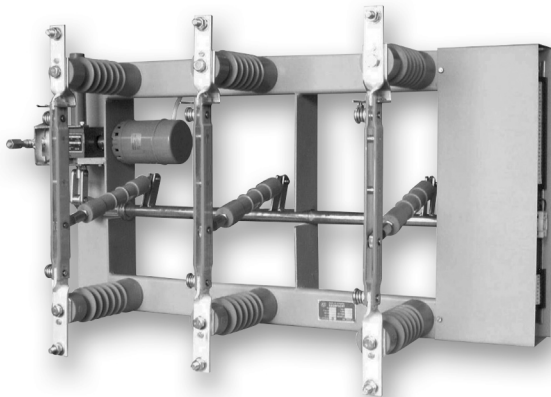
Type	kg	A	B	C	D	F	H	K	N	P	R	S	T	T1	U	V	L	L1
OMI 12/1250-30	80	600	600	540	321	200	560	320	76	60	Ø18	M12	20	40	-	-	415	475
OMI 25/1250-30	90	715	810	710	401	300	770	420	76	60	Ø18	M12	20	40	-	-	520	560
OMZI 12/1250-30(32)	110	600	600	540	321	200	560	320	76	60	Ø18	M12	20	40	110	220	415	475
OMZI 25/1250-30(32)	130	715	810	710	411	300	770	420	76	60	Ø18	M12	20	40	160	300	520	560

Three-pole disconnecting switches 2000 A, 3150 A

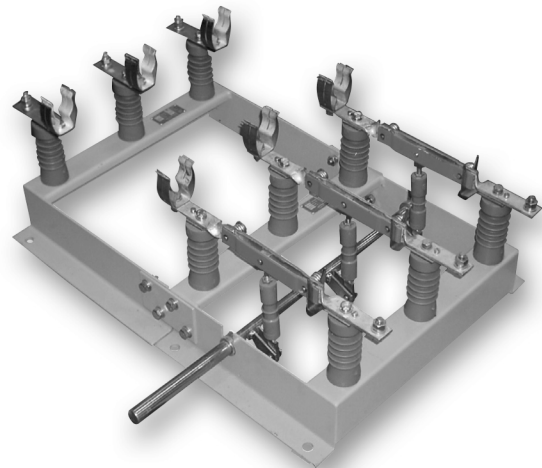


Type	kg	A	B	C	D	F	H	J	L	L1	M	V	S	P	T	T1	T2	T3	N
OMI 12/2000-30	102	810	924	360	610	280	844	455	540	655	154	345	10	100	20	40	25	50	94
OMI 25/2000-30	132	930	1120	479	760	350	1040	555	640	855	230	425	10	100	20	40	25	50	94
OMZI 12/2000-30(32)	112	810	924	360	610	280	844	455	540	655	154	355	10	100	20	40	25	50	94
OMZI 25/2000-30(32)	152	930	1120	479	760	350	1040	555	640	855	230	435	10	100	20	40	25	50	94
OMZI 12/3150-30	143	840	924	410	650	280	844	455	540	655	154	345	10	100	20	40	25	50	94

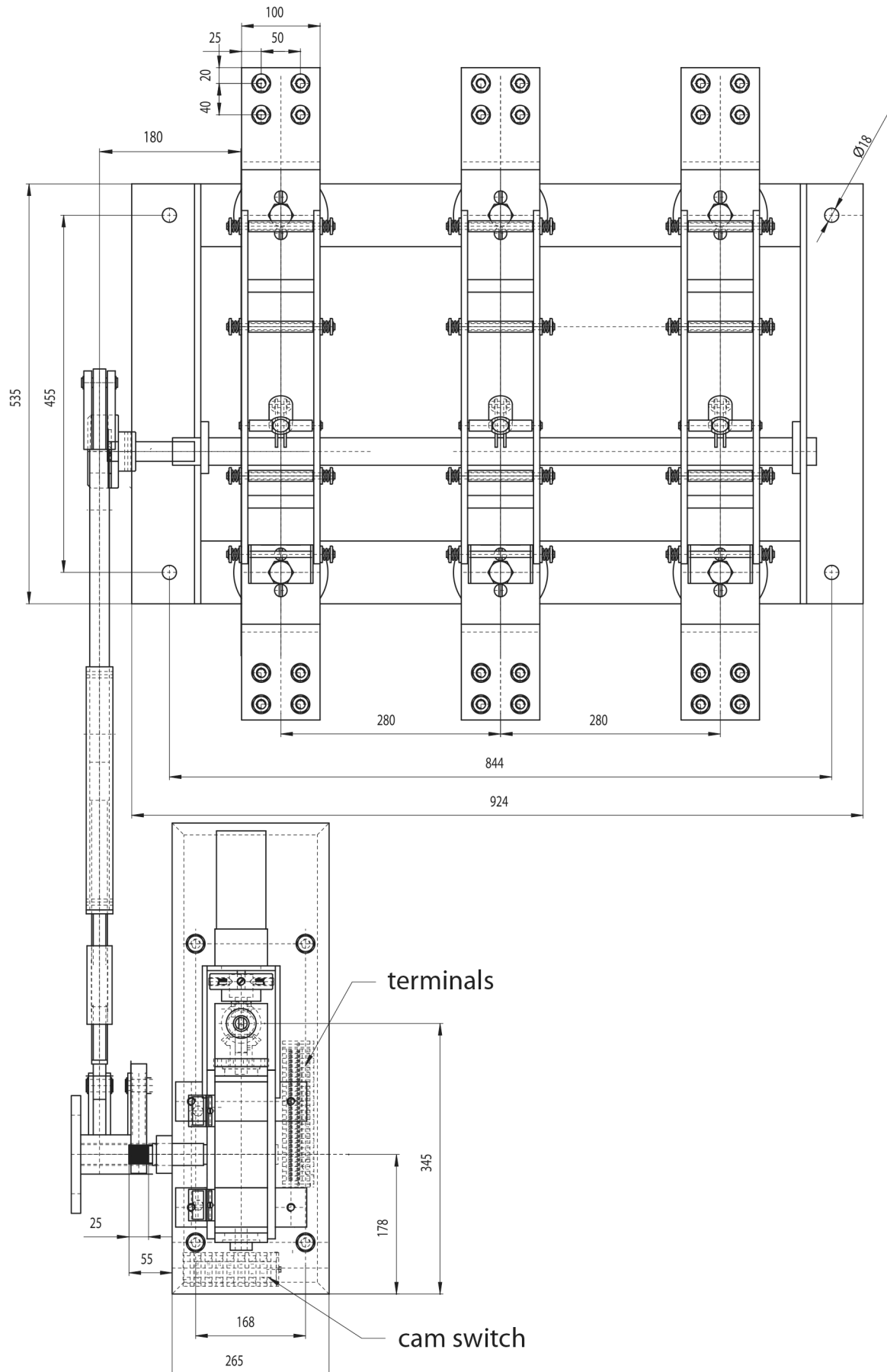
OMI 25/400-30 with ETMP

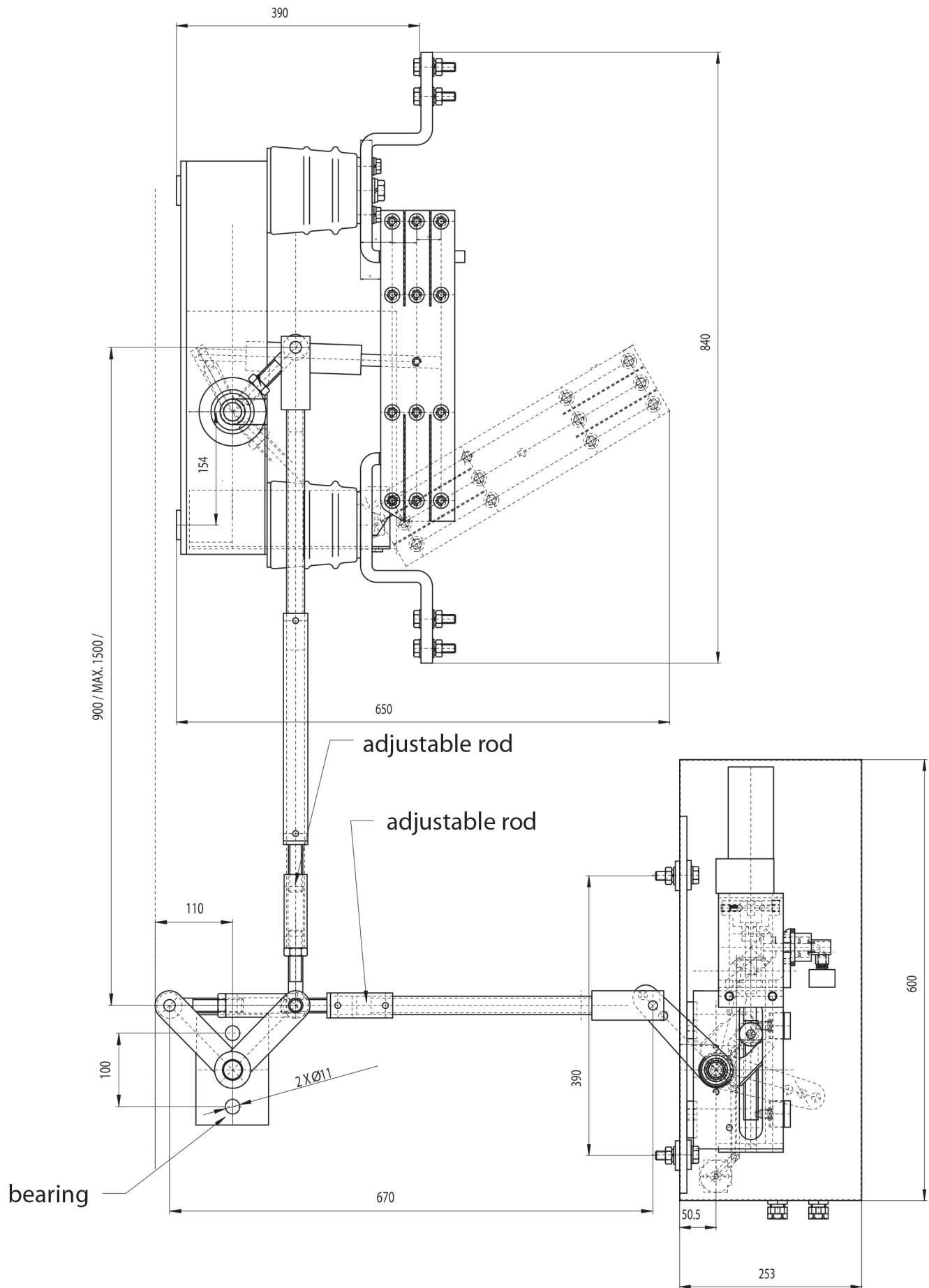


OMI with fuse base

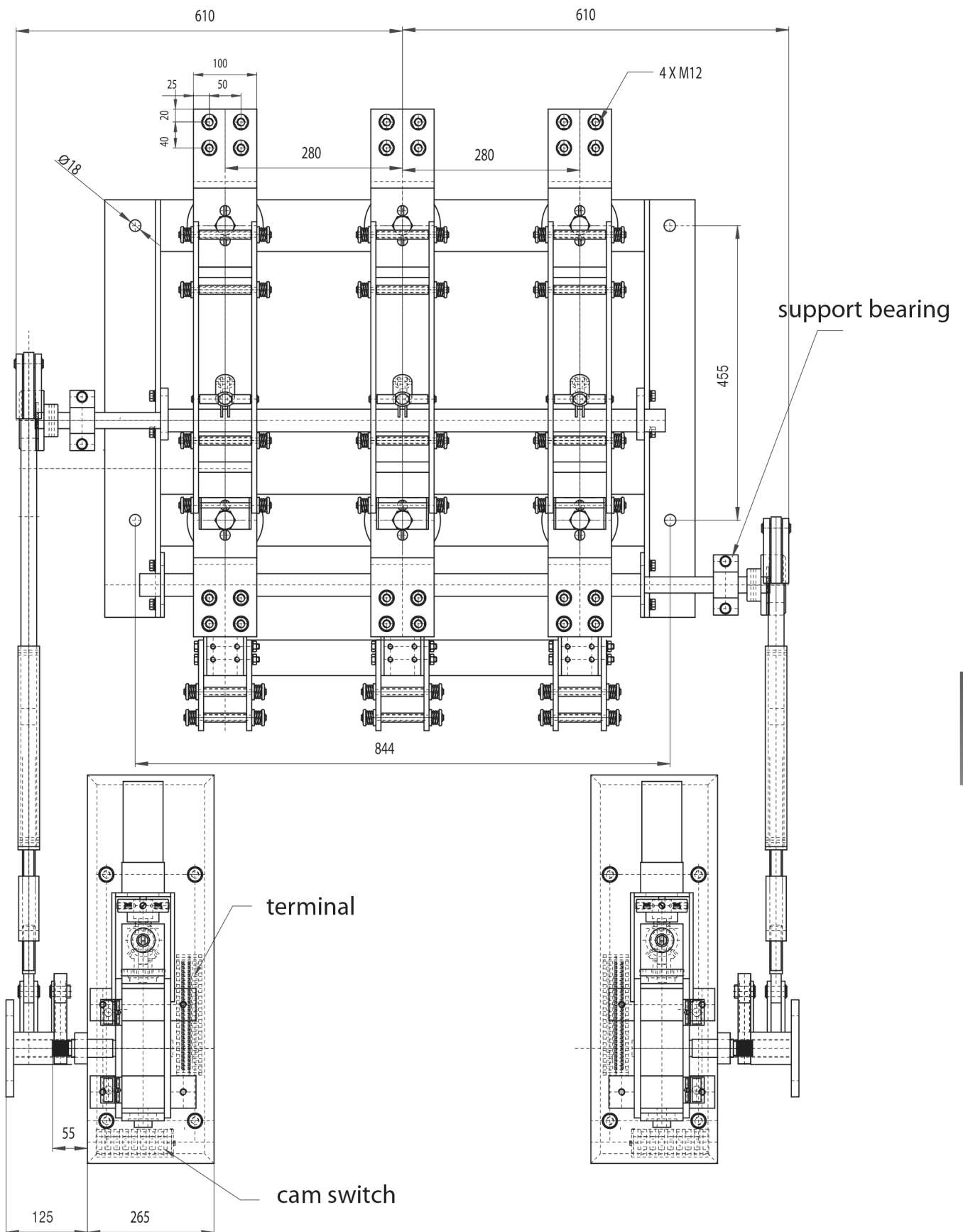


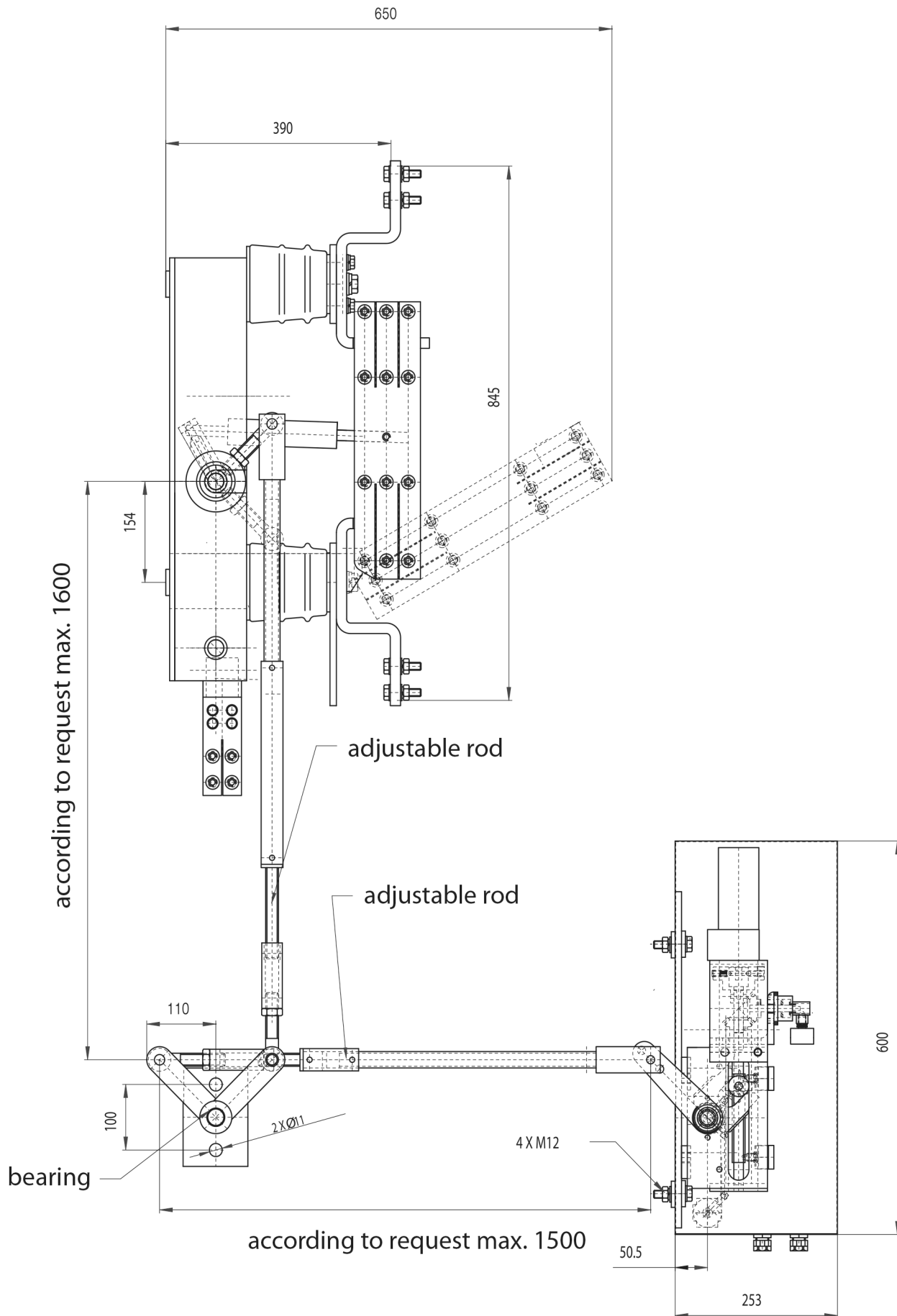
Three-pole disconnecting switches 400 and 630 A with the ETMP drive with emergency control by means of the switching-off bar ESPA 415.3





Disconnecting switch OMZI 12/3150 - 30L with EPU





Disconnecting switch OMI 12/4000 - 30L with EPU on frame

