

- contacting switching devices which secure the safe disconnecting distance in accordance with requirements determined for the disconnecting switches by a technical standard in OFF position
- they serve to disconnect the electric device after disconnection of performance switches visibly
- they disconnect the sections, whole networks, machines and devices for the purposes of repairs, revisions etc.
- they are assembled into the internal switching rooms
- **meet:** EN 60 271-102
- **rated frequency:** 50 Hz
- **protection mode:** IP 00 (EN 60 529)
- **insulators:** epoxy (surface route: 775 mm)
- **current conducting parts:** Cu
- **bus bars:** Cu, Al
- **control:** manual, electromotive

## TECHNICAL DATA

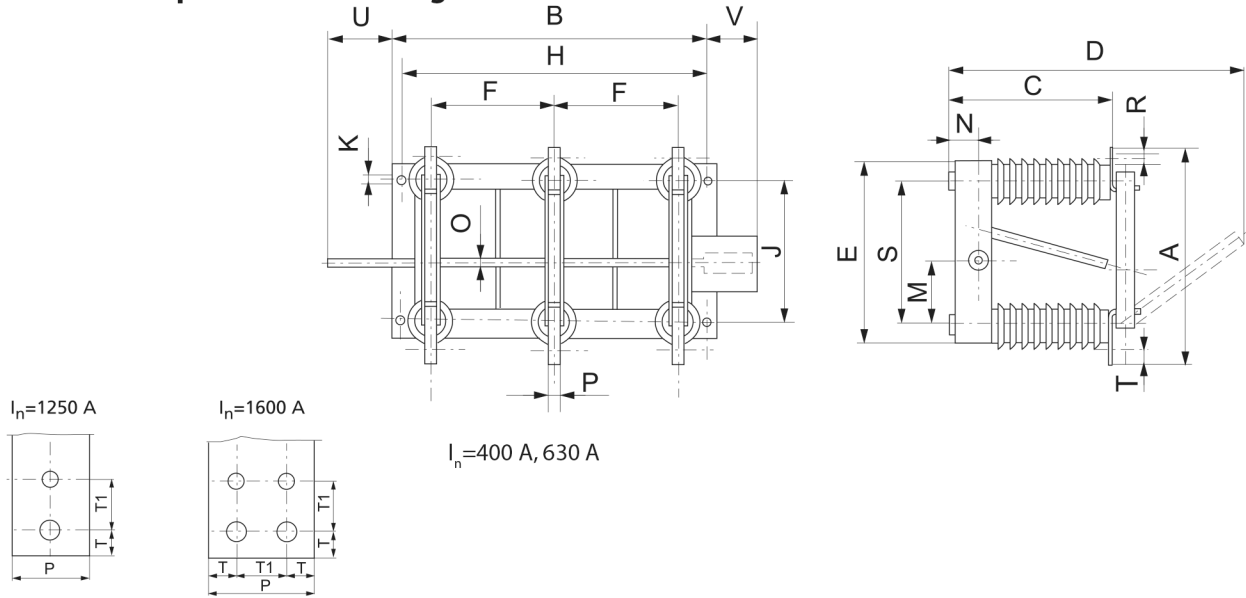
| Rated voltage, kV | Rated voltage with the atmospheric pulse, kV               |                            | Rated 1 min. short-term holding AC voltage of the industrial frequency, kV |                            |
|-------------------|--|----------------------------|--|----------------------------|
|                   | Against the earth, between poles and disconnected contacts | In the disconnecting route | Against the earth, between poles and disconnected contacts                 | In the disconnecting route |
| 38,5              | 180  | 210                        | 80   | 90                         |

| Type designation      | Rated voltage, kV | Rated current, A | Nom. short-term current 1 s, kA | Nom. dynamic current, kA |
|-----------------------|-------------------|------------------|---------------------------------|--------------------------|
| OCD/OCDZ 38,5/400-30  | 38,5              | 400              | 16                              | 40                       |
| OCD/OCDZ 38,5/630-30  | 38,5              | 630              | 25                              | 63                       |
| OCD/OCDZ 38,5/1250-30 | 38,5              | 1250             | 25                              | 63                       |
| OCD/OCDZ 38,5/1600-30 | 38,5              | 1600             | 25                              | 63                       |

| Type designation      | Weight* without the earther, kg | Weight* with the earther, kg |
|-----------------------|---------------------------------|------------------------------|
| OCD/OCDZ 38,5/400-30  | 62                              | 83                           |
| OCD/OCDZ 38,5/630-30  | 65                              | 85                           |
| OCD/OCDZ 38,5/1250-30 | 73                              | 90                           |
| OCD/OCDZ 38,5/1600-30 | 76                              | 100                          |

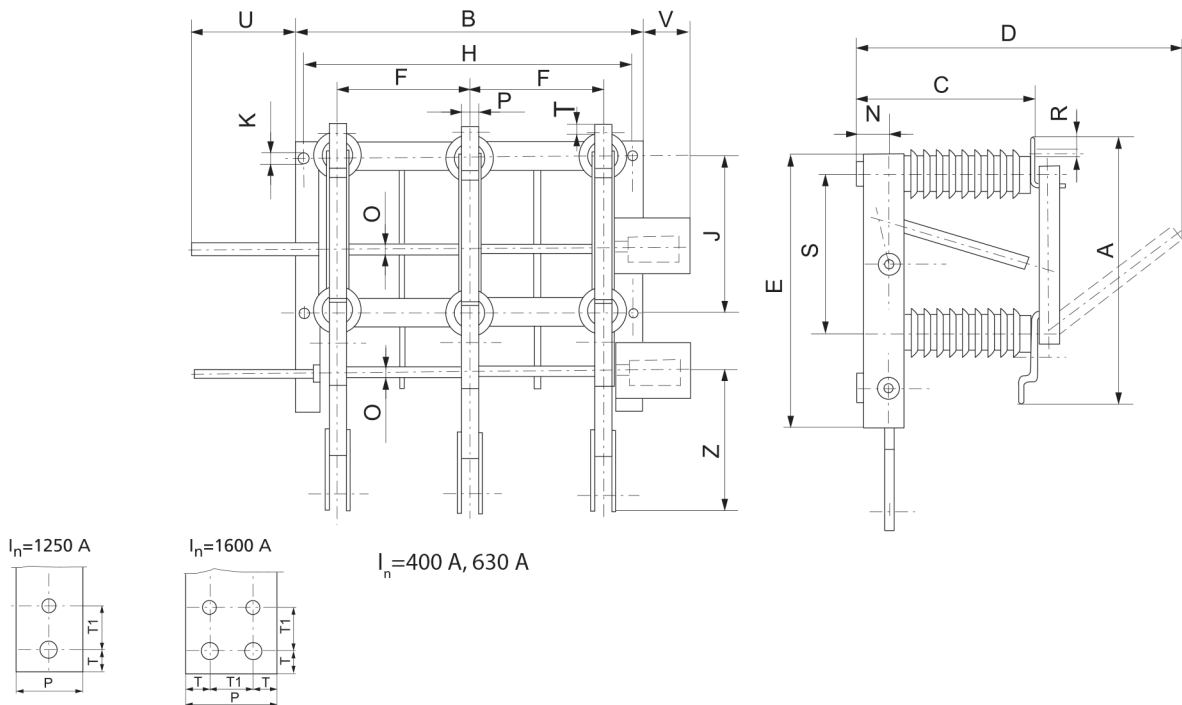
\* Weight of the basic version without accessories

## Three-pole disconnecting switches OCD



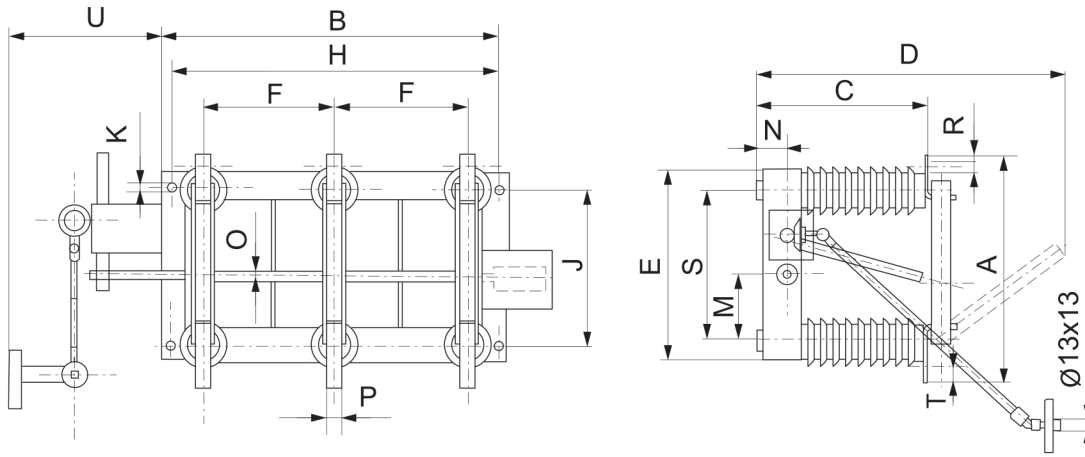
| Type             | kg | A   | B    | C   | D   | E   | F   | H    | J   | K   | M   | N  | O   | P  | R   | S   | U   | V   | T  | T1 |
|------------------|----|-----|------|-----|-----|-----|-----|------|-----|-----|-----|----|-----|----|-----|-----|-----|-----|----|----|
| OCD 38,5/400-30  | 72 | 770 | 1160 | 453 | 920 | 600 | 450 | 1120 | 500 | Ø18 | 160 | 73 | Ø25 | 40 | M12 | 500 | 187 | 115 | 20 | -  |
| OCD 38,5/630-30  | 75 | 770 | 1160 | 453 | 920 | 600 | 450 | 1120 | 500 | Ø18 | 160 | 73 | Ø25 | 40 | M12 | 500 | 187 | 115 | 20 | -  |
| OCD 38,5/1250-30 | 83 | 830 | 1160 | 455 | 920 | 600 | 450 | 1120 | 500 | Ø18 | 160 | 73 | Ø25 | 60 | M12 | 500 | 187 | 115 | 20 | 40 |
| OCD 38,5/1600-30 | 86 | 830 | 1160 | 455 | 920 | 600 | 450 | 1120 | 500 | Ø18 | 160 | 73 | Ø25 | 80 | M12 | 500 | 187 | 115 | 20 | 40 |

## Three-pole disconnecting switches OCDZ



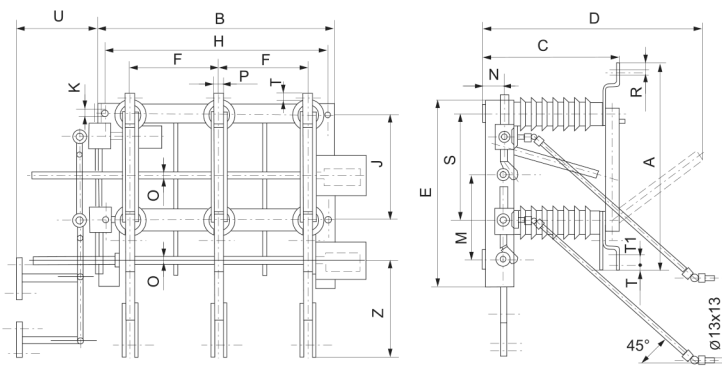
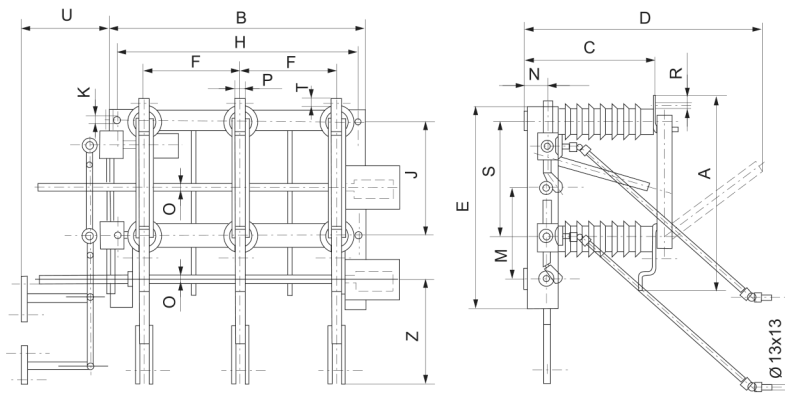
| Type              | kg  | A   | B    | C   | D   | E   | F   | H    | J   | K   | N  | O   | P  | R   | S   | U   | V   | Z   | T  | T1 |
|-------------------|-----|-----|------|-----|-----|-----|-----|------|-----|-----|----|-----|----|-----|-----|-----|-----|-----|----|----|
| OCDZ 38,5/400-30  | 83  | 830 | 1160 | 453 | 920 | 840 | 450 | 1120 | 500 | Ø18 | 73 | Ø25 | 40 | M12 | 500 | 187 | 115 | 365 | 20 | -  |
| OCDZ 38,5/630-30  | 85  | 830 | 1160 | 453 | 920 | 840 | 450 | 1120 | 500 | Ø18 | 73 | Ø25 | 40 | M12 | 500 | 187 | 115 | 365 | 20 | -  |
| OCDZ 38,5/1250-30 | 90  | 860 | 1160 | 541 | 920 | 840 | 450 | 1120 | 500 | Ø18 | 73 | Ø25 | 60 | M12 | 500 | 187 | 115 | -   | 20 | 40 |
| OCDZ 38,5/1600-30 | 100 | 860 | 1160 | 541 | 920 | 840 | 450 | 1120 | 500 | Ø18 | 73 | Ø25 | 80 | M12 | 500 | 187 | 115 | -   | 20 | 40 |

## Three-pole disconnecting switches OCD with the ETMP drive



| Type             | kg | A   | B    | C   | D   | E   | F   | H    | J   | K   | M   | N  | O   | P  | R   | S   | U  | T  | T1 |
|------------------|----|-----|------|-----|-----|-----|-----|------|-----|-----|-----|----|-----|----|-----|-----|----|----|----|
| OCD 38,5/400-30  | 72 | 770 | 1380 | 453 | 920 | 600 | 450 | 1120 | 500 | Ø18 | 160 | 73 | Ø25 | 40 | M12 | 500 | 65 | 20 | 40 |
| OCD 38,5/630-30  | 75 | 770 | 1380 | 453 | 920 | 600 | 450 | 1120 | 500 | Ø18 | 160 | 73 | Ø25 | 40 | M12 | 500 | 65 | 20 | 40 |
| OCD 38,5/1250-30 | 83 | 830 | 1380 | 453 | 920 | 600 | 450 | 1120 | 500 | Ø18 | 160 | 73 | Ø25 | 60 | M12 | 500 | 65 | 20 | 40 |
| OCD 38,5/1600-30 | 86 | 830 | 1380 | 453 | 920 | 600 | 450 | 1120 | 500 | Ø18 | 160 | 73 | Ø25 | 60 | M12 | 500 | 65 | 20 | 40 |

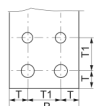
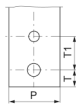
## Three-pole disconnecting switches OCDZ with the ETMP drive



$I_n=1250$  A

$I_n=1600$  A

$I_n=400$  A, 630 A



| Type              | kg  | A   | B    | C   | D   | E   | F   | H    | J   | K   | M   | N  | O   | P  | R   | S   | U  | T  | T1 | T2 | Z   |
|-------------------|-----|-----|------|-----|-----|-----|-----|------|-----|-----|-----|----|-----|----|-----|-----|----|----|----|----|-----|
| OCDZ 38,5/400-30  | 83  | 830 | 1380 | 453 | 920 | 840 | 450 | 1120 | 500 | Ø18 | 160 | 73 | Ø25 | 40 | M12 | 500 | 65 | 20 | -  | -  | 365 |
| OCDZ 38,5/630-30  | 85  | 830 | 1380 | 453 | 920 | 840 | 450 | 1120 | 500 | Ø18 | 160 | 73 | Ø25 | 40 | M12 | 500 | 65 | 20 | -  | -  | 365 |
| OCDZ 38,5/1250-30 | 90  | 860 | 1380 | 541 | 920 | 840 | 450 | 1120 | 500 | Ø18 | 160 | 74 | Ø25 | 60 | M12 | 500 | 65 | 20 | 40 | -  | 365 |
| OCDZ 38,5/1600-30 | 100 | 860 | 1380 | 541 | 920 | 840 | 450 | 1120 | 500 | Ø18 | 160 | 74 | Ø25 | 60 | M12 | 500 | 65 | 20 | 40 | 20 | 365 |