

- they are used to switch on and off the electric circuit without power output to disconnect certain sections of line of the switching room and distributors.

- **they meet:** O 1010, OM 1020, OM 1949 - EN 60 947-3

- **protection mode:** IP 00 (EN 60 529)

- **control:** - manual - by means of the switching off bar
- manually operated *

- electromotive * - 230 V AC
- 3 x 400 V AC

* OM 1020, OM 1040 only

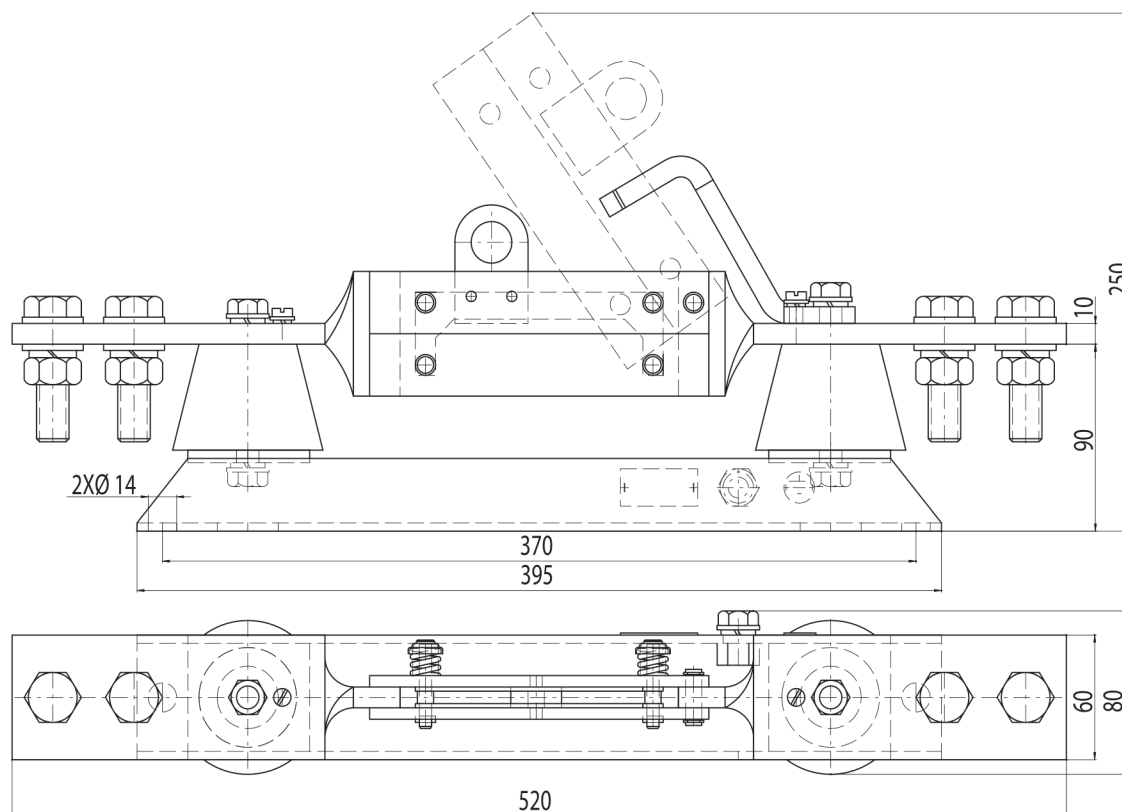
TECHNICAL DATA

Type designation	Rated voltage, V	Rated current, A	Nom. short-term current 1 s, kA	Nom. dynamic current, kA	Weight*, kg
O 1010	1000	1000	40	20	17
OM 1020	1000	2000	84	40	21
OM 1040	1000	4000	140	63	26

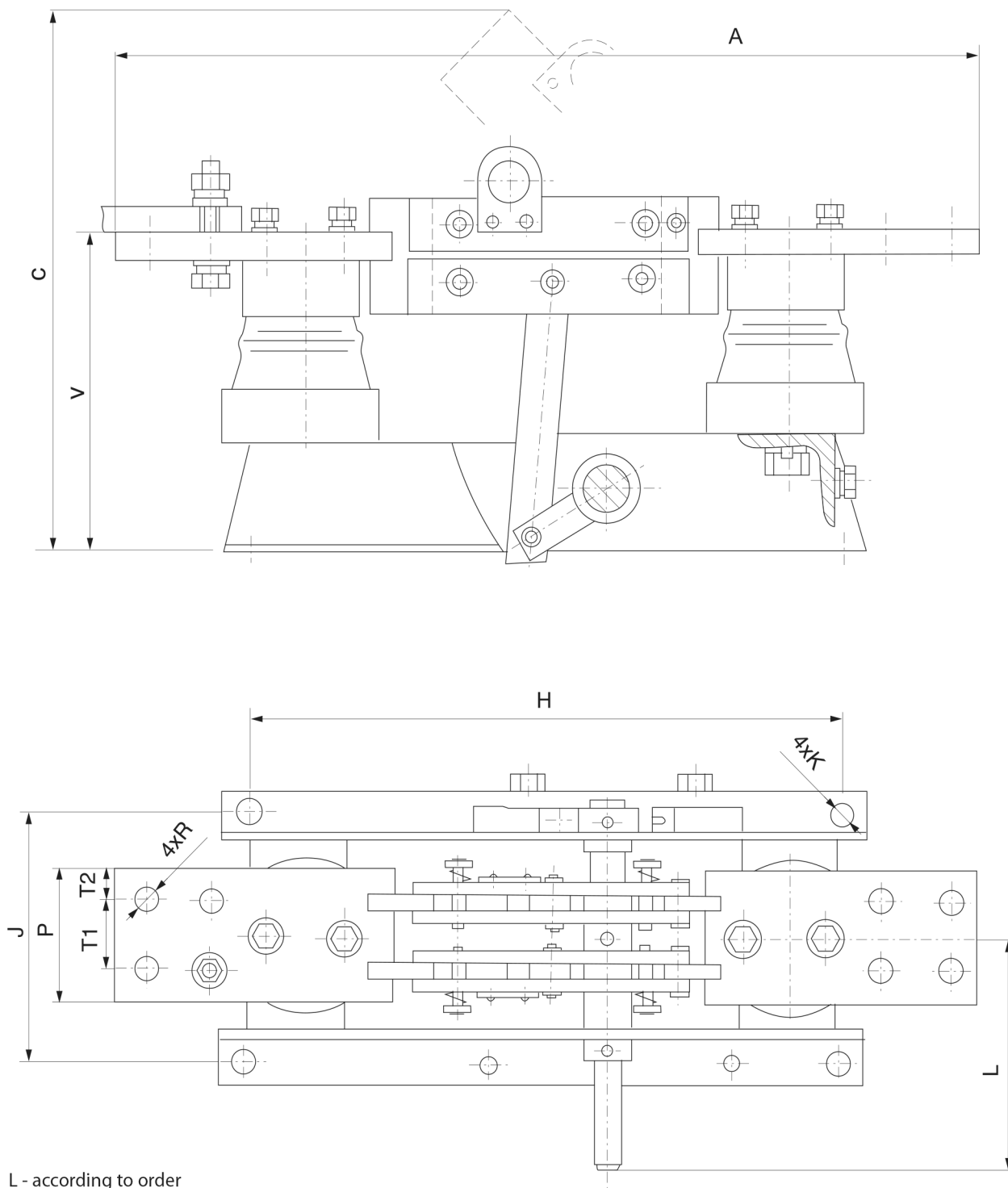
* Weight of the basic version without accessories

DIMENSIONAL LAYOUTS

Disconnecting switch O 1010



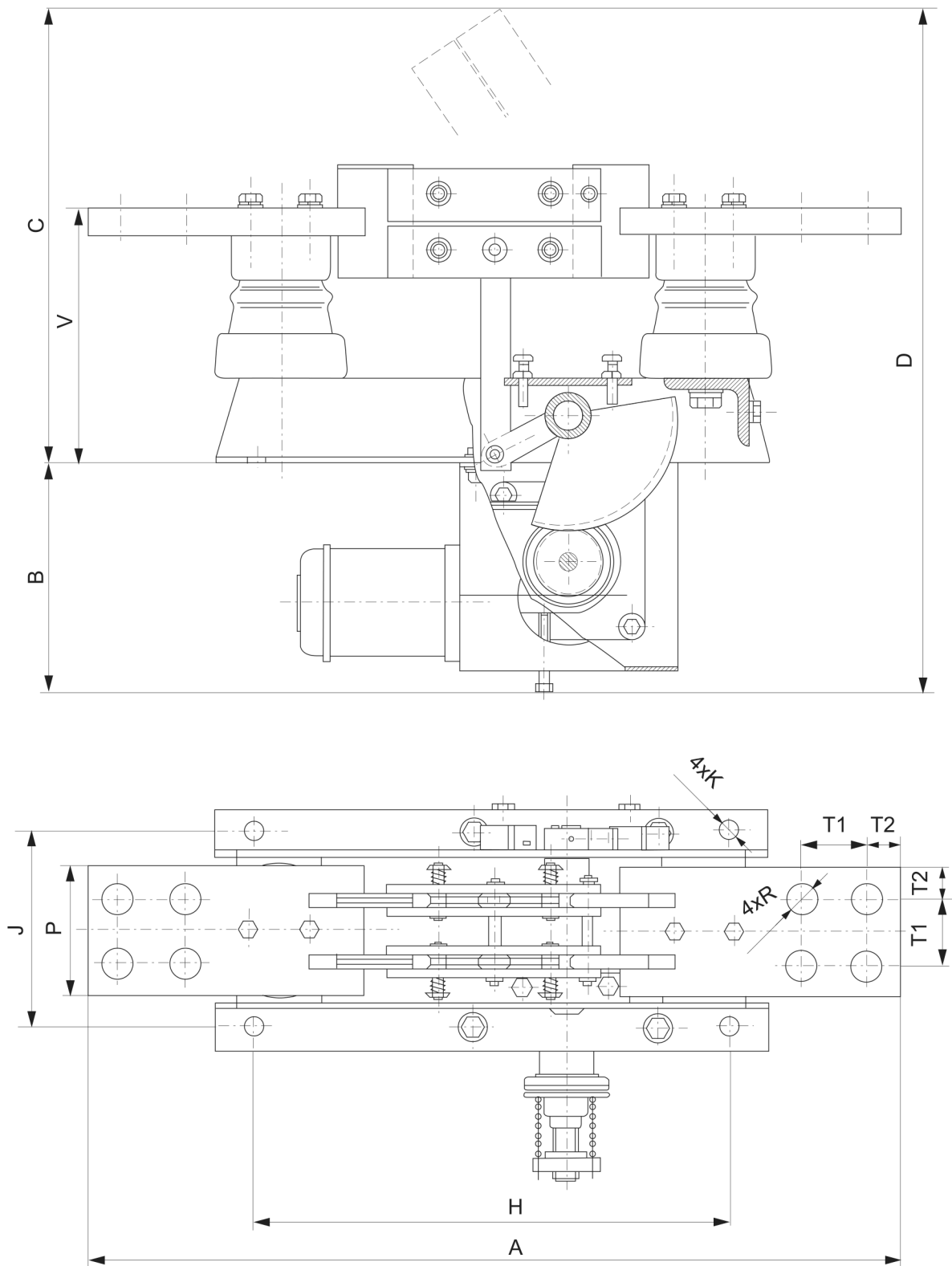
Disconnecting switches OM 1020, OM 1040 manually operated



L - according to order

Type	A	C	H	J	K	P	R	T1	T2	V
OM 1020 R	540	320	370	150	Ø14	80	Ø14	40	20	193
OM 1040 R	628	346	370	150	Ø14	100	Ø23	50	25	194

Disconnecting switches OM 1020, OM 1040 with electromotive drive



Type	A	B	C	D	H	J	K	P	T1	T2	V
OM 1020 R	540	170	320	490	370	150	Ø14	80	40	20	193
OM 1040 R	628	174	346	520	370	150	Ø14	100	50	25	194