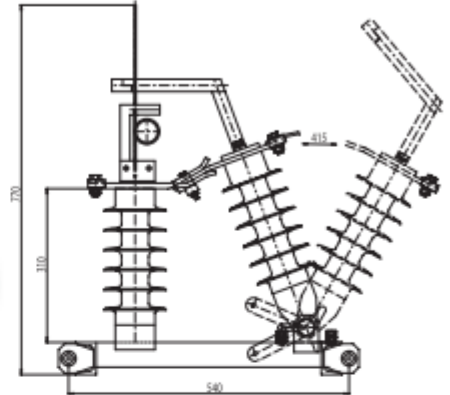
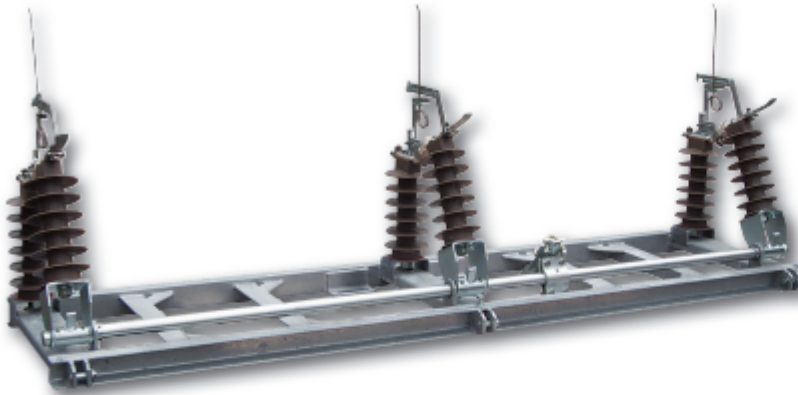


- for switching-on or switching-off the section, external aerial and cable lines of medium voltage or connections to transformers of medium/low voltages
- **in compliance with:** STN EN 60 265-1
- **insulators:** epoxy
- **work position:** horizontal
vertical
- **mounting:** BS, DS, double BS, edged mast, tower
- **pylon height:** 9; 10,5; 12 m
- **control:**
 - manual (control lever lockable in both end positions) – by means of a pull rod
 - electromotive (electromotive drive of the MPUO type) – provided with pull rod with the possibility of remote control
- guide frame meets all requirements for dimensioning of the carrying frame in accordance with Czech and Slovak technical standard.
- disconnectors are weather resistant and the functionality is guaranteed for up to 20mm of ice accretion.

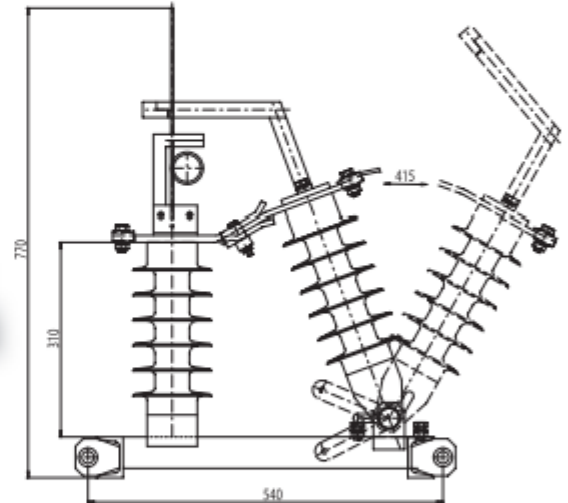
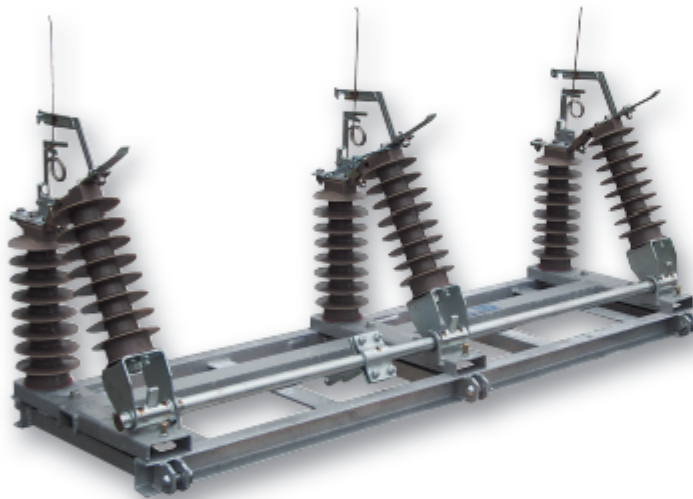
TECHNICAL DATA

	UVE (I) 25	UE 6	UVE (I) 38,5
Rated voltage U	25kV	25kV	38,5kV
Rated current I	400A	400A	400A
Rated frequency f	50Hz	50Hz	50Hz
Rated short term withstand current I_k by time of short circuit t_k	16kA / 1s	16kA / 1s	16kA / 1s
Rated dynamic withstand current I_p	40kA	40kA	40kA
Rated release current of active load I_1	20A	31,5A	15A
Rated release current of closed circuit I_{2a}	20A	31,5A	15A
Rated release current of non loaded transformer I_3	5A		4A
Rated release current of non loaded cable line I_{4a}	10A		10A
Rated release current of non loaded wire line I_{4b}	10A		15A
Rated short circuit switching current I_{ma}	10kA		3,15kA
Rated grounding switching off current I_{6a}	40A		15A
Rated release current of non loaded cable and wire line in case of grounding I_{6b}	17A		17,3A
Surface route	775mm, 3,1cm/kV	625mm, 2,5cm/kV	
Degree of pollution	II - IV	II - III	
Maximum vertical angle of line	30°	30°	30°
Maximum horizontal angle of line	10°	10°	10°
Lifetime	30 years	30 years	30 years

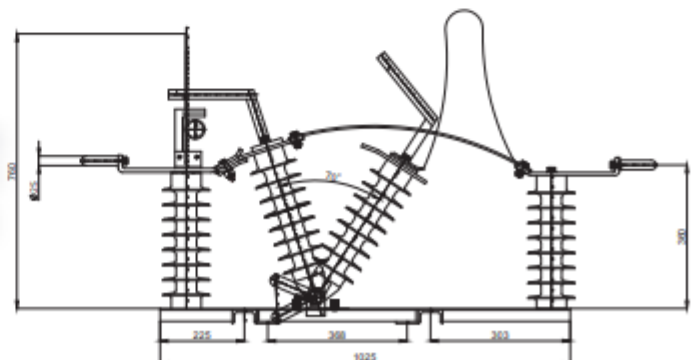
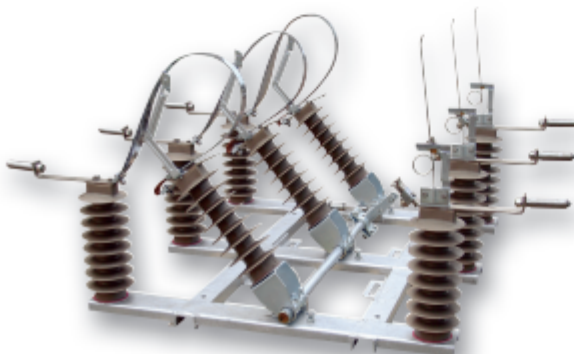
UE 6

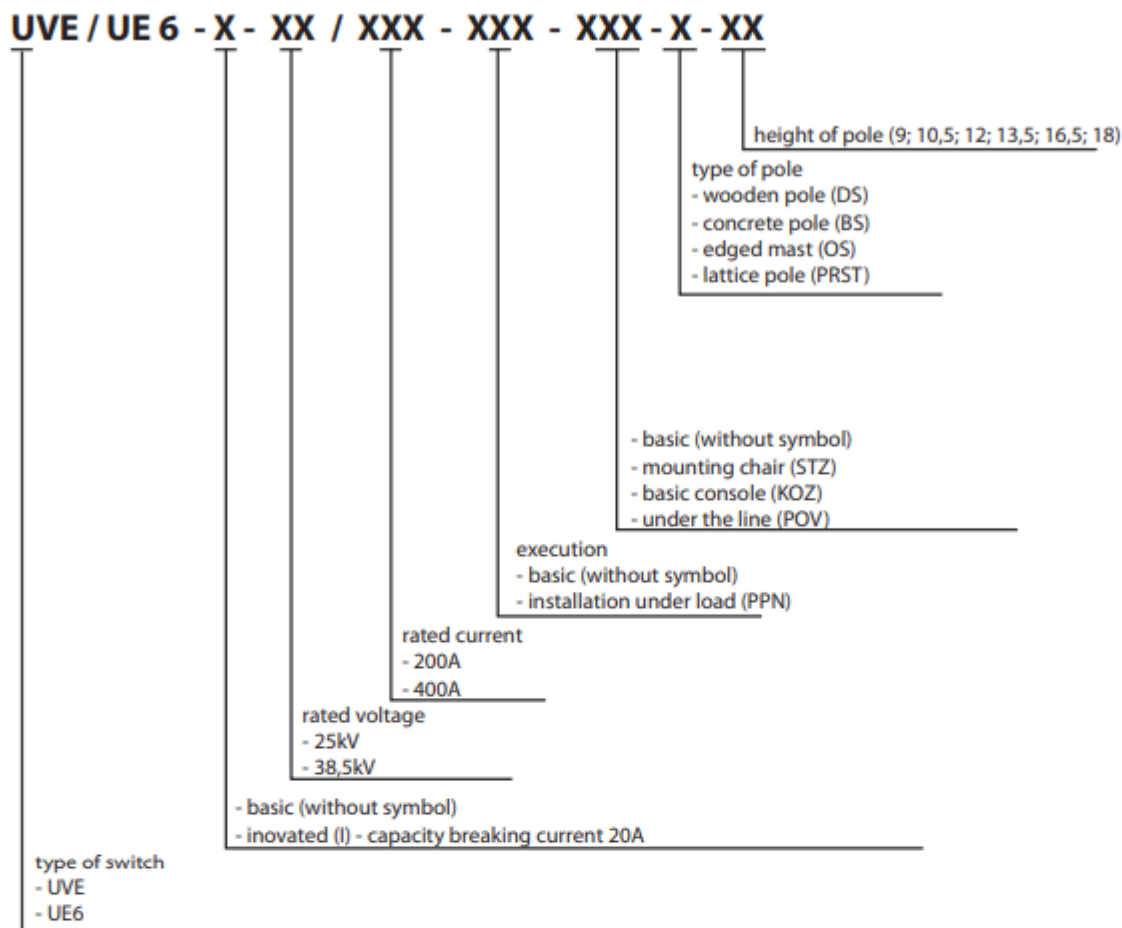


UVE



UVE PPN



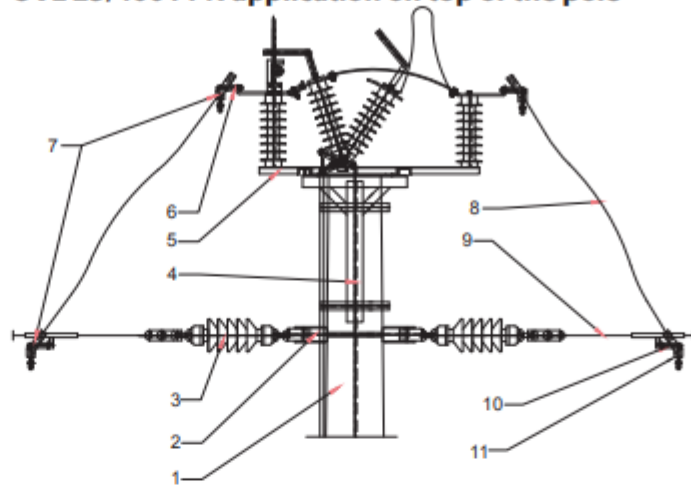


example of ordering

UVE - 25 / 400 - PPN - STZ - BS - 10,5

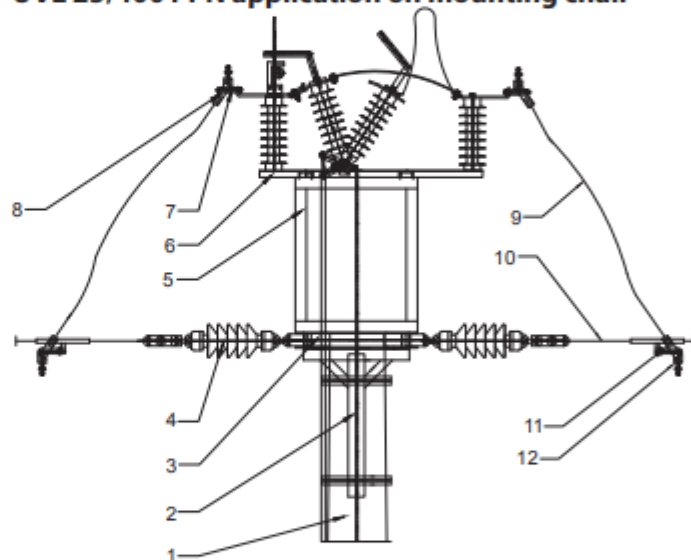
UVE 25/400 PPN application on top of the pole

- 1 – pole
- 2 – line carrier
- 3 – aerial insulator
- 4 – carrier cross
- 5 – frame of device
- 6 – connecting bolt
- 7 – bracket CDB
- 8 – insulated wire
- 9 – AlFe line
- 10 – bracket RDB
- 11 – bracket CDB

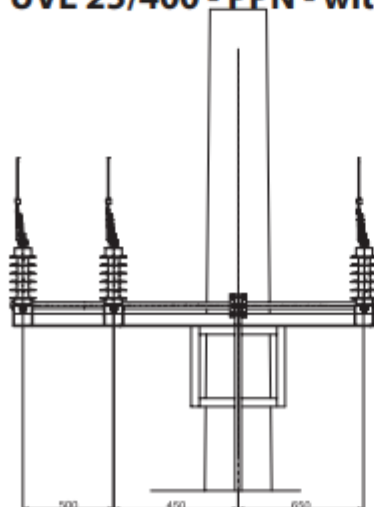


UVE 25/400 PPN application on mounting chair

- 1 – pole
- 2 – carrier cross
- 3 – frame of line
- 4 – aerial insulator
- 5 – mounting chair PPN
- 6 – frame of device
- 7 – connecting bolt
- 8 – bracket CDB
- 9 – insulated wire
- 10 – AlFe line
- 11 – bracket RDB
- 12 – bracket CDB



UVE 25/400 - PPN - with floating input under the line



- 1 – floating insulator
- 2 – fixed insulator
- 3 – frame of device
- 4 – carrier frame
- 5 – pole
- 6 – rod of the drive
- 7 – line carrier
- 8 – bracket RDB
- 9 – aerial insulator
- 10 – bracket CDB
- 11 – cable eye
- 12 – insulated wire

