

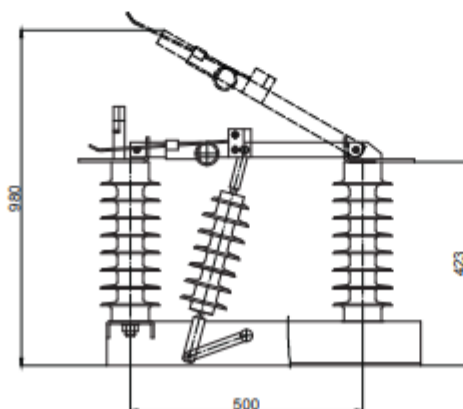
- for visible disconnection of medium voltage lines, external transformers, distribution networks
- in compliance with: EN 60 265-1
- disconnectors are weather resistant and the functionality is guaranteed for up to 20mm of ice accretion.
- **control:** - manual (control lever lockable in both end positions)
- electromotive
- **the device may be equipped:** - by overvoltage arresters in on the device inlet or outlet.
- by fuse base PS 25 to use it as the short-circuit protection. Contacts of the fuse base are designed in accordance with IEC 282-1 with the cover diameter of $j = 45 \text{ mm}$ and length of $D = 442 \text{ mm}$

TECHNICAL DATA

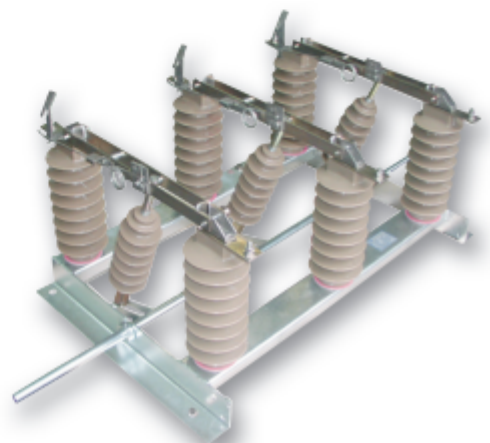
OTE, OTEZ

Rated voltage U	25kV
Rated current I	400A
Rated frequency f	50Hz
Rated short term withstand current I_k by time of short circuit t_k	25kA / 1s
Rated dynamic withstand current I_p	63kA
Rated release current of active load I_1	20A
Rated release current of closed circuit I_{2a}	20A
Rated release current of non loaded transformer I_3	4A
Rated release current of non loaded cable line I_{4a}	16A
Rated release current of non loaded wire line I_{4b}	15A
Rated short circuit switching current I_{ma}	8kA
Rated grounding switching off current I_{oa}	50A
Rated release current of non loaded cable and wire line in case of grounding I_{ob}	28A
Surface route	775mm, 3,1cm/kV
Degree of pollution	II - IV
Mechanical lifetime	3000 cycles
Weight	80kg
Lifetime	30 years

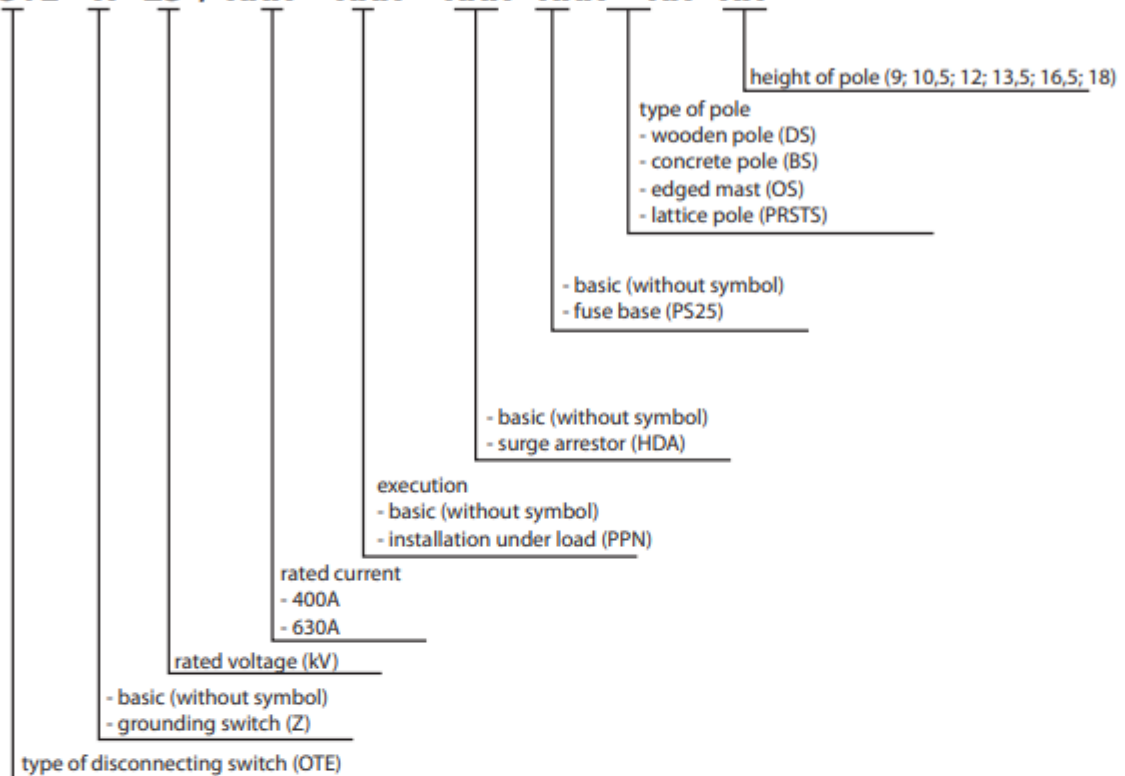
OTE 25/400-32



OTE 25/400-32



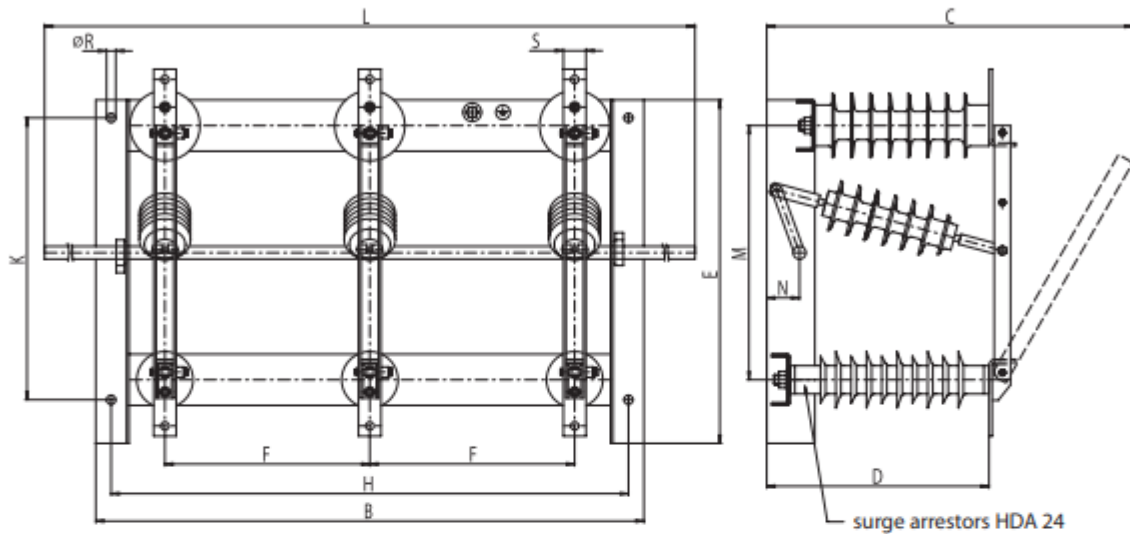
OTE - X - 25 / XXX - XXX - XXX - XXX - XX - XX



example of designation

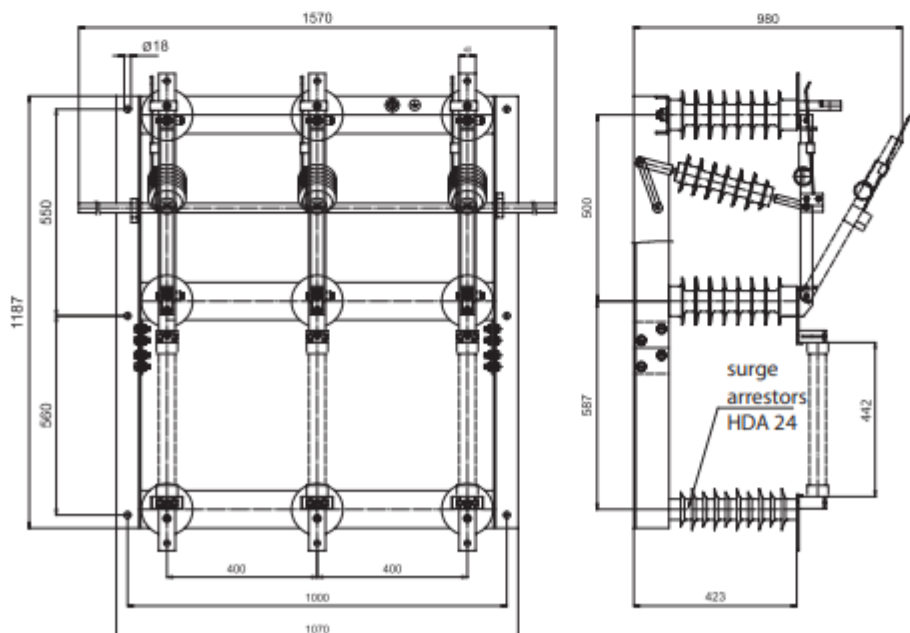
OTE - 25 / 400 - HDA - PS - 13,5

Outdoor switch OTE 25/400 - 31 with surge arrestors

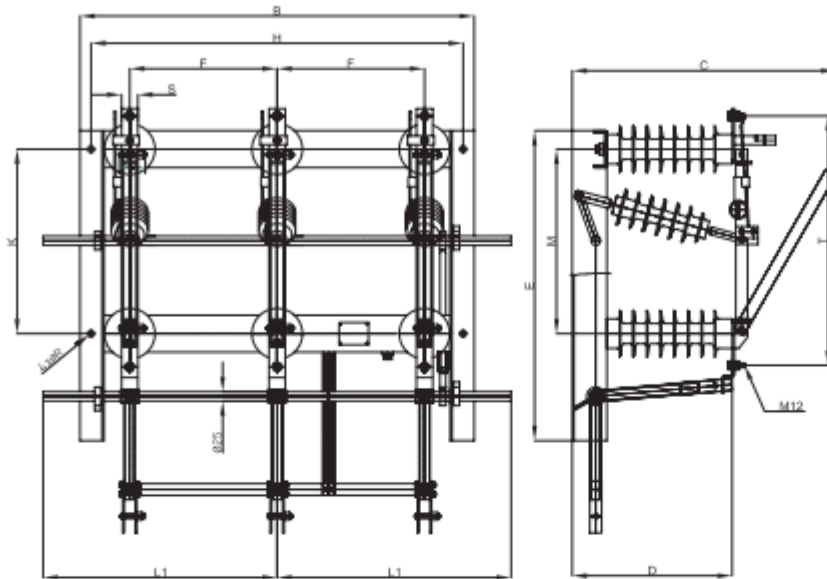


Type	kg	B	C	D	E	F	H	K	L	M	N	R	S
OTE 25/400-31	62	1070	980	423	670	400	1000	550	1300	500	60	$\varnothing 18$	40
OTE 25/630-31	63	1070	980	423	670	400	1000	550	1300	500	60	$\varnothing 18$	40

Outdoor switch OTE 25/400 - 32 with surge arrestors HDA 24 and fuse bases



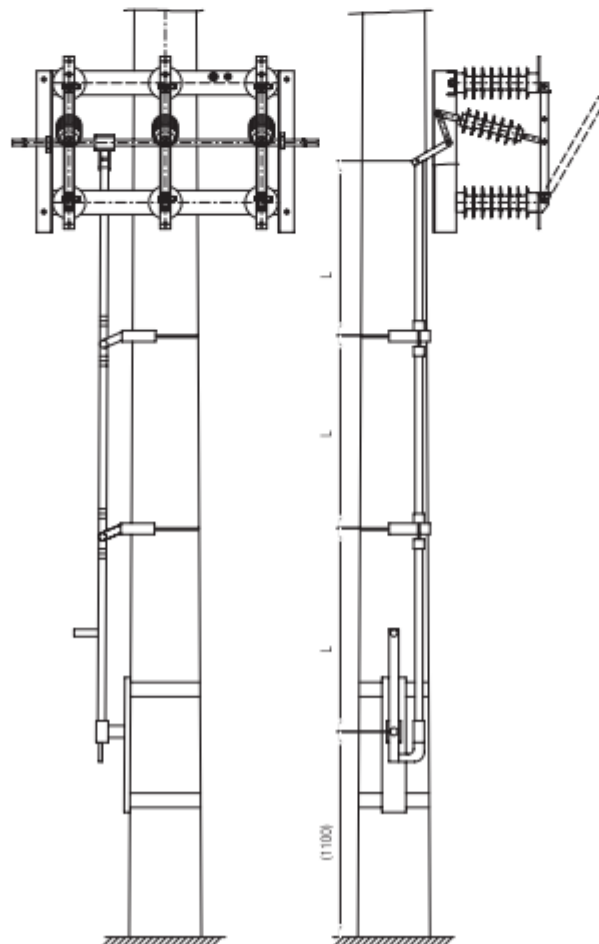
Outdoor switch OTEZ 25/630 - 32



Type	kV	A	kg	B	C	D	E	F	H	K	L1	M	R	S	T
OTEZ 25/630-32	25	630	77	1060	980	423	840	400	1020	500	650	500	Ø 18	40	680

Application of OTE on concrete pole with manual operator

L - according to customers request



Application of OTE on double concrete pole with fuse base and surge arrestors

