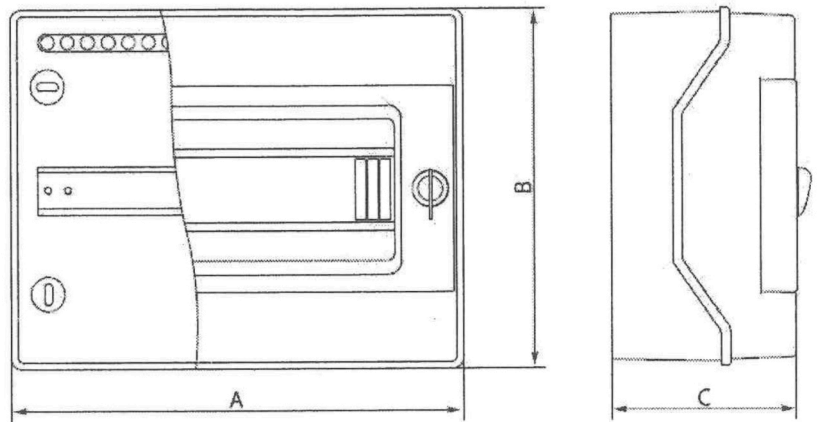


Hermetic distribution boxes



RH-24



RH-4



RH-6



RH-8



RH-12



RH-18S



RH-36/3



RH-54/3

Hermetic distribution boxes RH - RH distribution boxes are suitable for both households and industry, wall-mounted with IP65 protection rating. Equipped with DIN rail and N + PE terminal block.

RH distribution boxes are available in several sizes:
 1-row up to 18 modules,
 2-row up to 36 modules,
 3-row up to 54 modules

RH distribution boxes consist of a white body and transparent doors made of ABS material.



www.sez-kropachy.sk



martina.dankova@sez-kropachy.sk



+421 53 4189 144



SEZ Kropachy a.s.
 Hornádska 1
 053 42 Kropachy
 Slovak republic

Technical parameters:
 ambient temperature -24 +60,
 protection class II,
 Unr- 230/400V,
 In 100A,
 impact resistance IK07



Complies with EN 62208:2011 standards

Catalog number	Name	Type	N+PE terminal block	Dimensions		
				A (mm)	B (mm)	C (mm)
36.04	RH - 4	1 x 4	Yes	172	260	138
36.06	RH - 6	1 x 6	Yes	225	260	138
36.08	RH - 8	1 x 8	Yes	260	260	138
36.12	RH - 12	1 x 12	Yes	330	260	138
36.18	RH - 18	1 x 18	Yes	435	260	138
36.24	RH - 24	2 x 12	Yes	330	420	138
36.143	RH - 36/3	3 x 12	Yes	330	580	138
36.154	RH - 54/3	3 x 18	Yes	435	580	138

