

# Circuit breakers PR 60

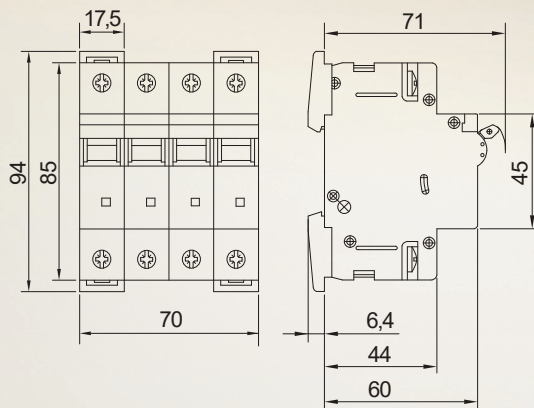


PR6	1	-	B	0,5	M	0,2
	2	C	1	0,3		
	3	D	2	0,4		
	4		3	0,6		
Number of poles	6		4	0,8		
	8		6	1,2		
Trip characteristic	10		8	2		
	13		10	3		
Rated current	16		13	4,2		
	20		16	6		
	25		20	8		
	32		25	10		
	35		32	12		
	40		35	14		
	50		40	17		
	63		50	21		
			63	25		
				32		
				40		
				50		
				63		



## Color code:

0,5-1A	black	40A	black
2A	pink	50A	white
3A	black	63A	copper
4A	brown		
6-8A	green		
10-13A	red		
16A	gray		
20A	blue		
25A	yellow		
32-35A	purple	0,2-63A	black



## Technical data:

Standards	EN 60898-1	EN 60947-2
<b>Pole configuration</b>	1, 1+N, 2, 3, 3+N, 4	
<b>Tripping characteristics</b>	B, C, D	M
<b>Rated current I<sub>n</sub></b>	A 0,5 – 63	0,2 – 63
<b>Rated voltage U<sub>n</sub></b>	V 230; 230/400; 400	230; 400
<b>Rated insulation voltage U<sub>i</sub></b>	V 400	
<b>Rated impulse withstand voltage U<sub>imp</sub></b>	V 4 000	
<b>Rated DC voltage U<sub>n</sub></b>	V max.60 - ( for one pole τ = 15ms)	
<b>Rated frequency</b>	Hz 50 – 60	
<b>Short circuit breaking capacity</b>	kA 10	
<b>Selection category</b>	3	
<b>Ultimate short circuit breaking capacity I<sub>cu</sub></b>	kA	10
<b>Service short circuit breaking capacity I<sub>cs</sub></b>	kA	7,5
<b>Utilization category</b>		A
<b>Electrical endurance</b>	4 000 cycles	
<b>Mechanical endurance</b>	100 000 cycles	
<b>Terminal capacity</b>	mm <sup>2</sup> 1 - 25 for Cu wires 2,5 - 25 for Al wires - special Type	
<b>Mounting</b>	on rail DIN 35x7,5 EN 60 715; on panel	
<b>Degree of protection</b>	IP 20 IP 40 front	
<b>Ambient temperature</b>	°C -25 up to +55	
<b>Mounting position</b>	optional	
<b>Vibration resistance</b>	3g (8 – 50 Hz)	
<b>Approvals</b>	ESS, EŠČ, VDE	ESS
<b>Accessories</b>	Auxiliary and signal contacts - PKJ, 2PKJ, PKJ+SKJ Shunt trips - VC Undervoltage trip	

- 10 kA short circuit resistance
- Approved connection of copper and aluminum conductors
- Possibility of connection by wires and bus (pin or plug) at the same time
- Connection of the upper and lower terminals using a connecting strip
- Clear identification using color-coded levers

## Usage:

- Circuit breakers PR series are mechanical switching devices able to switch, conduct and switch-off the current under normal conditions and able to switch, conduct and automatically switch-off the current under abnormal circuit conditions such as short circuit.
- They are used to protect house installations and industrial electric distributions and devices against overcurrents.
- There is optical state indicator on the front side of the circuit breaker indicating operation state of the device (green target visible = closed contacts, red target visible = opened contacts).

## Simple assembly:

- Lower flexible clip for fastening to the rail 35 x 7,5 in accordance with EN 60 715 - it allows also to take out circuit breaker from the line of devices together connected by lower busbar strip without interrupting of adjacent current circuits.
- Upper fixed clip - it allows to take out circuit breaker from the line of devices connected together by upper busbar strip
- There is a possibility to use through-out covers for both terminals which can be sealed by blinder.
- Simultaneous connection of conductors and busbars

Valid from: 22.11.2024

SEZ Kropachy a.s. • Hornádska 1 • 053 42 Kropachy • Slovak Republic

tel.: +421 53 4189 144 • www.sez-kropachy.sk • e-mail: martina.dankova@sez-kropachy.sk

