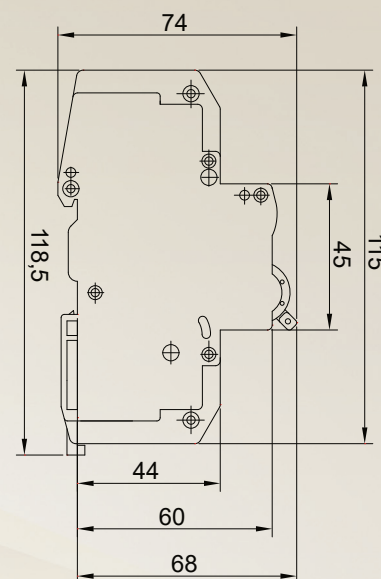
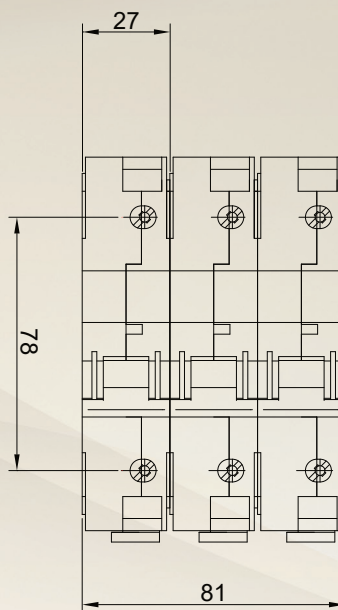
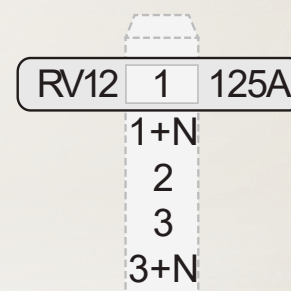


Modular switches RV 120



Technical data :

Standards	STN EN 60947 – 3
Pole configuration	1, 1+N, 2, 3, 3+N
Rated thermal current (A)	125
Rated voltage U_n (V)	230, 400
Rated insulation voltage U_i (V)	690
Rated impulse withstand voltage U_{imp} (V)	6000
Rated frequency (Hz)	50
Rated operational currents I_e (A)	100 for category AC 22A 40 for category AC 23
Rated conditional short circuit current (kA)	3 with fuses 100 A gG 6 with fuses 63 A gG
Electrical endurance (cycles)	1500
Mechanical endurance (cycles)	10000
Terminal capacity (mm²)	1 - 50
Mounting	on rail DIN 35 x 7,5 EN 60 715
Degree of protection	IP 20 – clamps IP 40 – from the front panel
Ambient temperature (°C)	-25 up to +55
Mounting position	optional
Vibration resistance	3g (8 – 50 Hz)
Accessories	shunt trips VC, auxiliary contacts PK120, 2PK120



Number of poles

Use:

- Modular switches RV 120 are mechanical devices used for switching of electrical circuits
- They are used in house, commercial and industrial distributions
- Conductors 1 – 50 mm²

Valid from: 22.11.2024

SEZ Kropachy a.s. • Hornádska 1 • 053 42 Kropachy • Slovak Republic

tel.: +421 53 4189 144 • www.sez-kropachy.sk • e-mail: martina.dankova@sez-kropachy.sk

