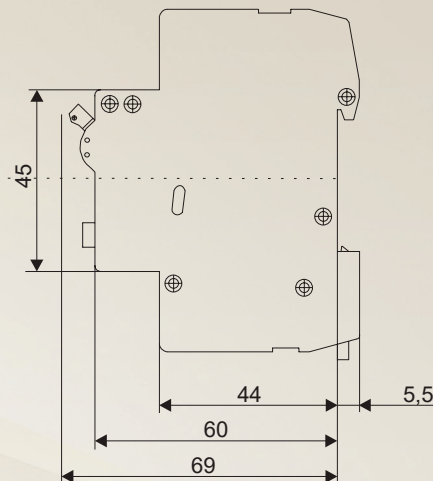
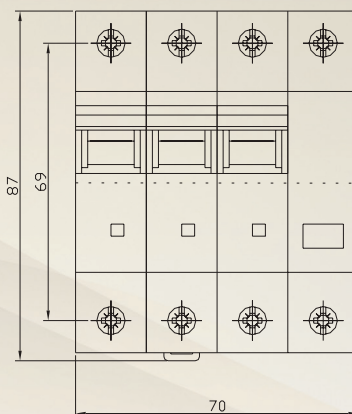
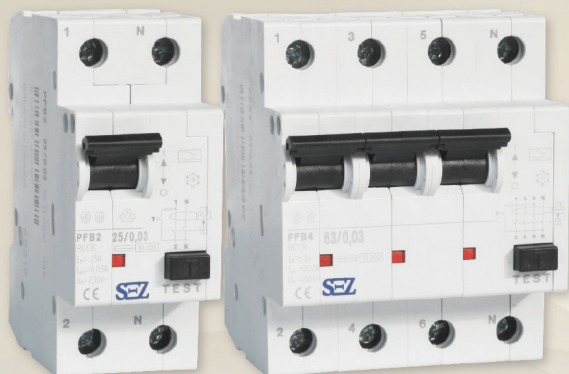
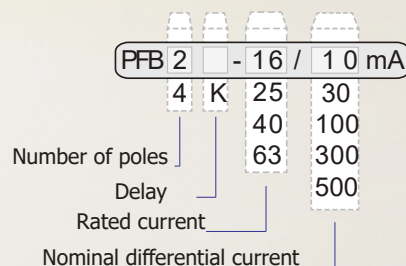


Residual current circuit breakers PFB and PCHB



Versions			PFB2	PFB4	PCHB2	PCHB4
Types			A, AC			
Number of poles			2	4	2	4
Rated current	I_n	A	16-63	16-63	16-100	16-100
Rated residual operating current	$I_{\Delta n}$	A	0,01-0,5	0,03-0,5	0,01-0,5	0,03-0,5
Rated voltage	U_n	V	230	230/400	230	230/400
Rated frequency		Hz	50		50/60	
Rated res. making and breaking capacity I_m	$I_m = I_{\Delta m}$	A	630		800; 1000 for $I_n=100A$	
Max. conventional back-up fuses GL	I_n	A	63; 80 for $I_n=63$ and 80 A; 100 for $I_n=100A$			
Rated conditional short-circuit current	I_{nc}	A	1000; 6000 for $I_n=100A$			
Protection degree			IP 20; IP40 after installation			
Mounting position			optional			
Ambient temperature			from -25°C to + 40°C			
Weight	g		250	435	230	390
Terminal capacity	mm ²		1,5 to 25		1 to 35	
Accessories			auxiliary and signal contacts		sealing covers	



WITH A RESIDUAL CURRENT CIRCUIT BREAKER (RCCB) THE FOLLOWING PROTECTIVE MEASURES ARE AVAILABLE:

- Protection in cases of indirect contact
- Protection in cases of direct contact
- Prevention of fires caused by ground-fault currents

FEATURES:

- Suitable for protection of electrical circuits in residential buildings, non-residential buildings or industrial applications
- PFB and PCHB devices are working according IEC 61008-1 / EN 61008-1
- Simple and solid fixing to 35 mm mounting rail in compliance to EN 6071
- Range of rated residual operating currents I 10, 30, 100, 300, 500 mA (I = 10mA is for devices with rated current up to 25A include)
- Optical indicator, on the front side indicating operating state of device (green target visible closed contacts, red target visible opened contacts)
- Connected clamp headed/stirrupted range of connecting wires 1 - 25 mm²
- Working position optional
- There is possibility to use auxiliary contacts for type PFB
- PFB devices are compatible with circuit breakers PR 60, PE 60, RV 60, PFI dimensions

PROT7 CTIO8 9 G9 I8 ST I8 DIR7 CT CO8 T9 CT:

The level of protection against indirect contact is independent of the value of the differential switching current of the circuit breaker.

PROTECTION AGAINST INDIRECT CONTACT:

The level of protection against indirect contact does not depend on the value of the residual tripping current of the circuit breaker. Additional protection against direct contact. This is the latest method of protection, which is required or recommended for installations especially in spaces with a high risk of electric shock (sockets in bathrooms, campsites, caravans, in medical facilities, etc.). A residual current device installed in this way for additional protection with a rated tripping residual current $I_{\Delta n} \leq 30$ mA also protects the user against the dangerous effects of electric current if these two further measures fail:

- Protection against direct contact (removed covers, damaged covering, etc.)
- Protection against indirect contact (interruption of the protective conductor, accidentally swapped protective and working conductors, damaged insulation of the electrical device, etc.).

Valid from: 22.11.2024

SEZ Kropachy a.s. • Hornádska 1 • 053 42 Kropachy • Slovak Republic

tel.: +421 53 4189 144 • www.sez-kropachy.sk • e-mail: martina.dankova@sez-kropachy.sk

