





Modular distribution boards P-Box

Above plaster & Below plaster



SEZ[®]

Valid from: 22.11.2024

Color designs



Imitation walnut



Imitation pine



Beige



Silver



Anthracite



White



P-Box distribution boards provide an aesthetic solution for your wall. Safe insulation, easy installation, the option to choose transparent or opaque doors, and high quality make it a unique solution for your environment.



Halogen free

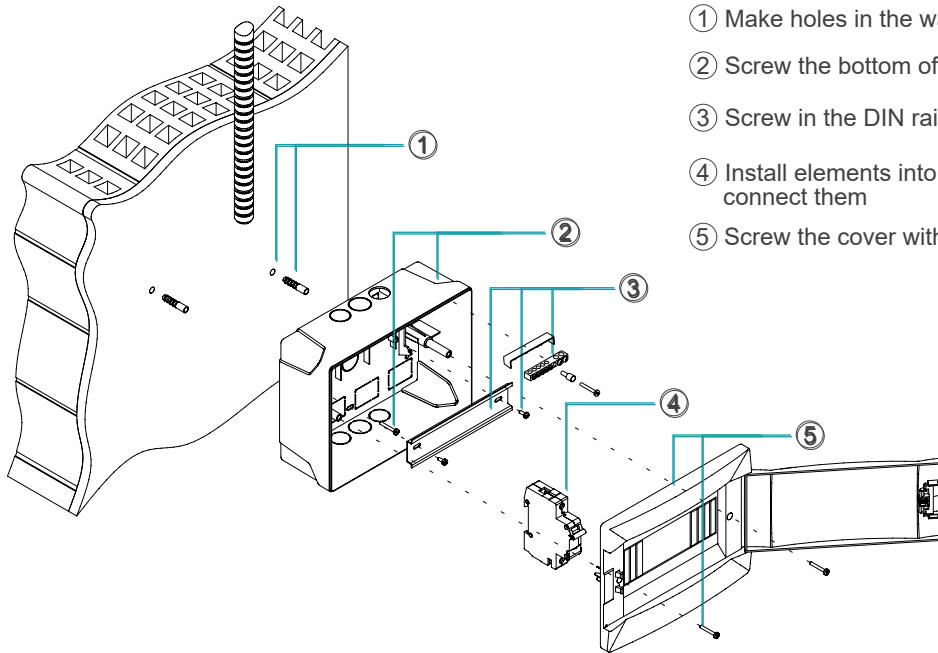
P-Box distribution boards are made from halogen-free materials, which do not contain bromine, fluorine, iodine, and chlorine. In case of fire, they do not produce toxic gases, making it safe to use them in public spaces, schools, hospitals, cinemas, and more.

P-Box Specifications:

- Halogen-free materials
- Resistant to heat and impact
- Fire-resistant up to 650°C
- Option for double-sided door opening
- Simple and elegant door opening
- Compliant with international standards
- 180° door opening
- Transparent and opaque doors
- 35 mm DIN rail
- N + PE terminal block
- IP 40 protection rating

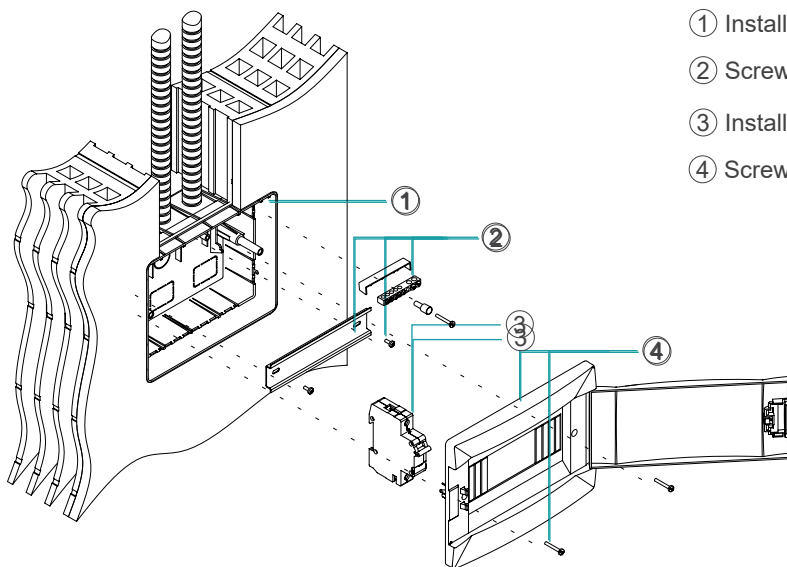
Installation Guide

Distribution board above plaster



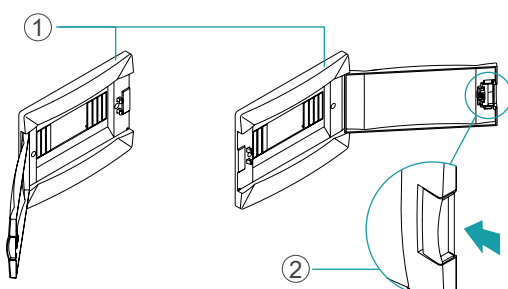
- ① Make holes in the wall and insert dowels
- ② Screw the bottom of the distribution board to the wall
- ③ Screw in the DIN rail and terminal blocks
- ④ Install elements into the distribution board and connect them
- ⑤ Screw the cover with doors onto the distribution board

Distribution board below plaster



- ① Install the bottom of the distribution board below the plaster
- ② Screw in the DIN rail and terminal blocks
- ③ Install elements into the distribution board and connect them
- ④ Screw the cover with doors onto the distribution board

Cover Installation



- ① The cover with doors can be mounted so that the door opening side is optional
- ② Press the opening mechanism on the edge of the door and comfortably open the door

Modular distribution boards P-Box

Transparent doors, below plaster



PP8 - P
Distribution board below plaster,
8 modules, transparent doors

Color - White
IEC 60670-24
Packaging - 1pc / 16pcs
Packaging dimensions 16pcs (mm) - 450x757x220
Weight 1pc / 16pcs (kg) - 0,60 / 9,62



PP12 - P
Distribution board below plaster,
12 modules, transparent doors

Color - White
IEC 60670-24
Packaging - 1pc / 8pcs
Packaging dimensions 8pcs (mm) - 475x595x215
Weight 1pc / 8pcs (kg) - 0,91 / 7,35



PP16 - P
Distribution board below plaster,
16 modules, transparent doors

Color - White
IEC 60670-24
Packaging - 1pc / 8pcs
Packaging dimensions 8pcs (mm) - 475x735x220
Weight 1pc / 8pcs (kg) - 1,1 / 8,8



PP24 - P
Distribution board below plaster,
24 modules, transparent doors

Color - White
IEC 60670-24
Packaging - 1pc / 4pcs
Packaging dimensions 4pcs (mm) - 320x455x368
Weight 1pc / 4pcs (kg) - 1,67 / 6,7



PP36 - P
Distribution board below plaster,
36 modules, transparent doors

Color - White
IEC 60670-24
Packaging - 1pc / 4pcs
Packaging dimensions 4pcs (mm) - 450x475x330
Weight 1pc / 4pcs (kg) - 2,4 / 9,62

Transparent doors, above plaster



PN8 - P
Distribution board on plaster,
8 modules, transparent doors

Color - White
IEC 60670-24
Packaging - 1pc / 16pcs
Packaging dimensions 16pcs (mm) - 450x680x212
Weight 1pc / 16pcs (kg) - 0,59 / 9,45



PN12 - P
Distribution board on plaster,
12 modules, transparent doors

Color - White
IEC 60670-24
Packaging - 1pc / 8pcs
Packaging dimensions 8pcs (mm) - 445x600x210
Weight 1pc / 8pcs (kg) - 0,91 / 7,3



PN16 - P
Distribution board on plaster,
16 modules, transparent doors

Color - White
IEC 60670-24
Packaging - 1pc / 8pcs
Packaging dimensions 8pcs (mm) - 475x735x220
Weight 1pc / 8pcs (kg) - 1,1 / 8,8



PN24 - P
Distribution board on plaster,
24 modules, transparent doors

Color - White
IEC 60670-24
Packaging - 1pc / 4pcs
Packaging dimensions 4pcs (mm) - 312x460x350
Weight 1pc / 4pcs (kg) - 1,64 / 6,55



PN36 - P
Distribution board on plaster,
36 modules, transparent doors

Color - White
IEC 60670-24
Packaging - 1pc / 4pcs
Packaging dimensions 4pcs (mm) - 450x475x330
Weight 1pc / 4pcs (kg) - 2,43 / 9,7

Opaque doors, below plaster



PP8 - N
Distribution board below plaster,
8 modules, opaque doors

Color - White
IEC 60670-24
Packaging - 1pc / 16pcs
Packaging dimensions 16pcs (mm) - 450x757x220
Weight 1pc / 16pcs (kg) - 0,60 / 9,62



PP12 - N
Distribution board below plaster,
12 modules, opaque doors

Color - White
IEC 60670-24
Packaging - 1pc / 8pcs
Packaging dimensions 8pcs (mm) - 475x595x215
Weight 1pc / 8pcs (kg) - 0,91 / 7,35



PP16 - N
Distribution board below plaster,
16 modules, opaque doors

Color - White
IEC 60670-24
Packaging - 1pc / 8pcs
Packaging dimensions 8pcs (mm) - 475x735x220
Weight 1pc / 8pcs (kg) - 1,1 / 8,8



PP24 - N
Distribution board below plaster,
24 modules, opaque doors

Color - White
IEC 60670-24
Packaging - 1pc / 4pcs
Packaging dimensions 4pcs (mm) - 320x455x368
Weight 1pc / 4pcs (kg) - 1,67 / 6,7



PP36 - N
Distribution board below plaster,
36 modules, opaque doors

Color - White
IEC 60670-24
Packaging - 1pc / 4pcs
Packaging dimensions 4pcs (mm) - 450x475x330
Weight 1pc / 4pcs (kg) - 2,4 / 9,62

Opaque doors, above plaster



PN8 - N
Distribution board on plaster,
8 modules, opaque doors

Color - White
IEC 60670-24
Packaging - 1pc / 16pcs
Packaging dimensions 16pcs (mm) - 450x680x212
Weight 1pc / 16pcs (kg) - 0,59 / 9,45



PN12 - N
Distribution board on plaster,
12 modules, opaque doors

Color - White
IEC 60670-24
Packaging - 1pc / 8pcs
Packaging dimensions 8pcs (mm) - 445x600x210
Weight 1pc / 8pcs (kg) - 0,91 / 7,3



PN16 - N
Distribution board on plaster,
16 modules, opaque doors

Color - White
IEC 60670-24
Packaging - 1pc / 8pcs
Packaging dimensions 8pcs (mm) - 475x735x220
Weight 1pc / 8pcs (kg) - 1,1 / 8,8



PN24 - N
Distribution board on plaster,
24 modules, opaque doors

Color - White
IEC 60670-24
Packaging - 1pc / 4pcs
Packaging dimensions 4pcs (mm) - 312x460x350
Weight 1pc / 4pcs (kg) - 1,64 / 6,55

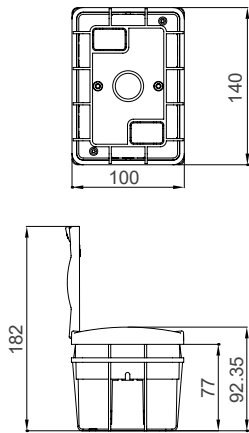


PN36 - N
Distribution board on plaster,
36 modules, opaque doors

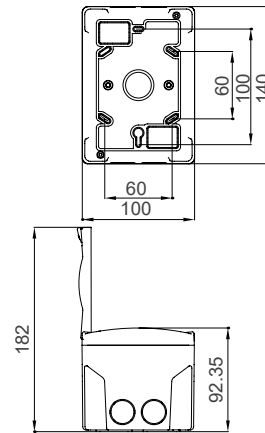
Color - White
IEC 60670-24
Packaging - 1pc / 4pcs
Packaging dimensions 4pcs (mm) - 450x475x330
Weight 1pc / 4pcs (kg) - 2,43 / 9,7

Dimensional drawings

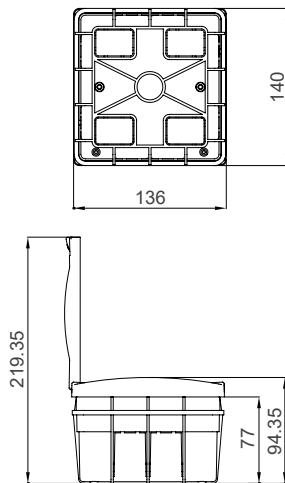
P-Box distribution board under plaster, 2 modules



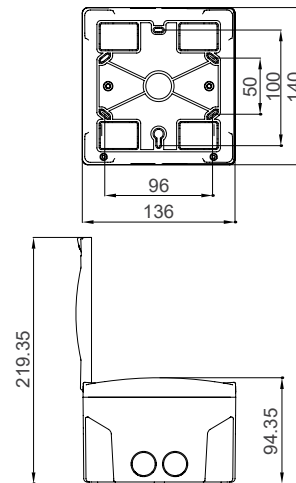
P-Box distribution board above plaster, 2 modules



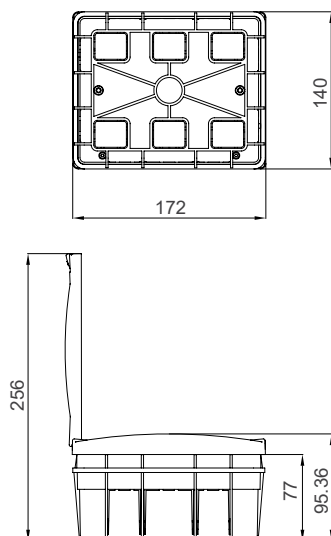
P-Box distribution board under plaster, 4 modules



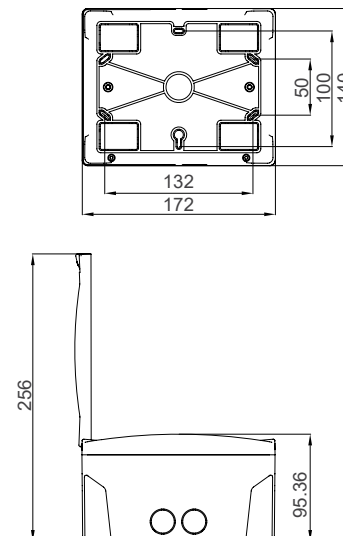
P-Box distribution board above plaster, 4 modules



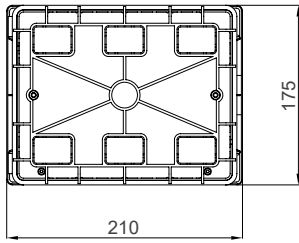
P-Box distribution board under plaster, 6 modules



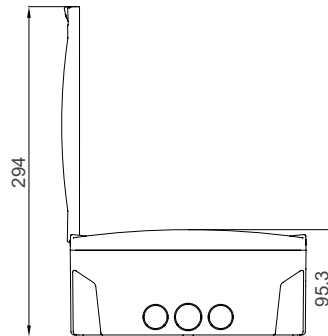
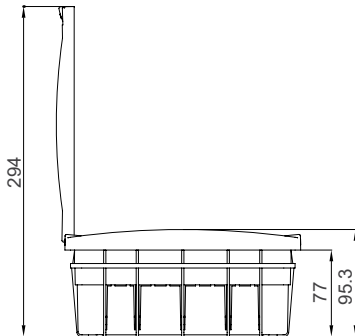
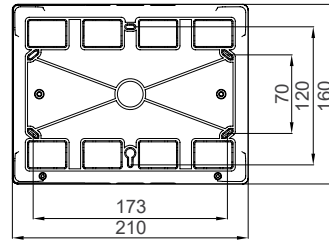
P-Box distribution board above plaster, 6 modules



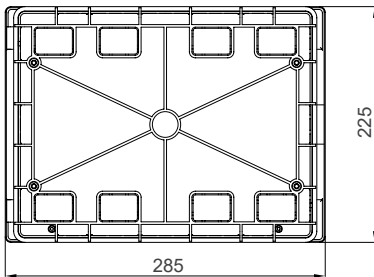
P-Box distribution board under plaster, 8 modules



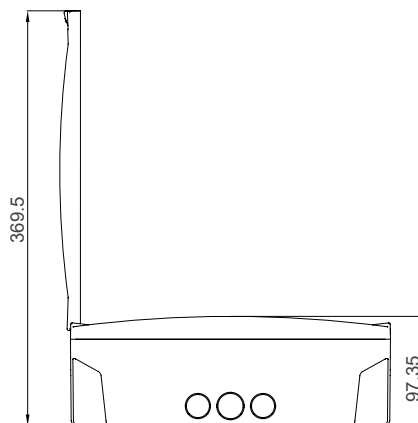
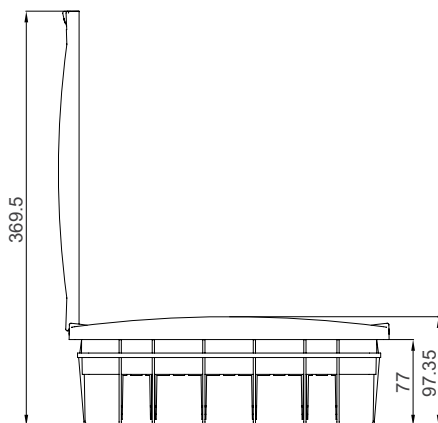
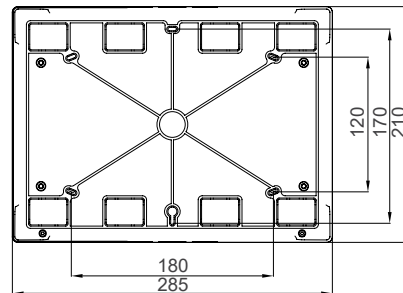
P-Box distribution board above plaster, 8 modules



P-Box distribution board under plaster, 12 modules

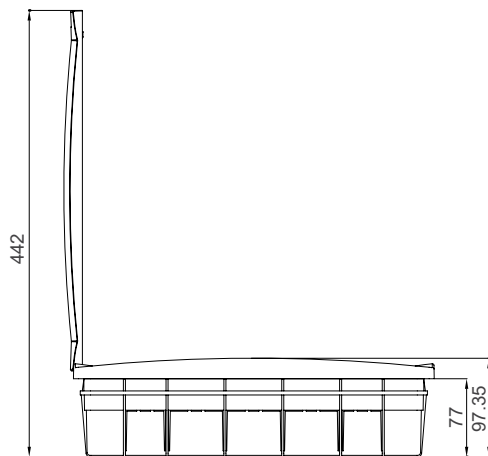
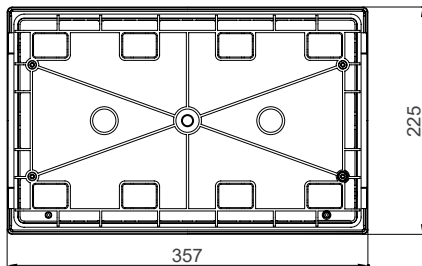


P-Box distribution board above plaster, 12 modules

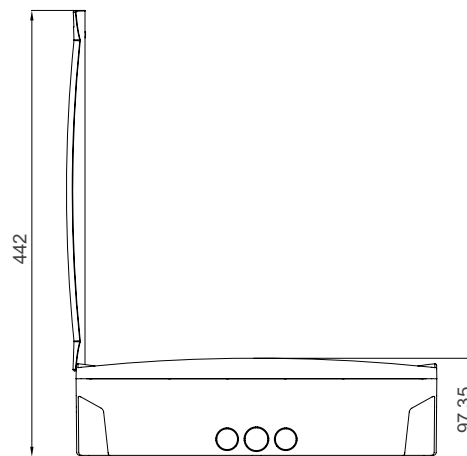
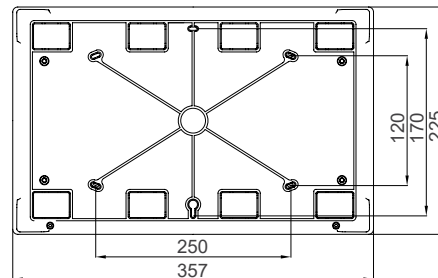


Dimensional drawings

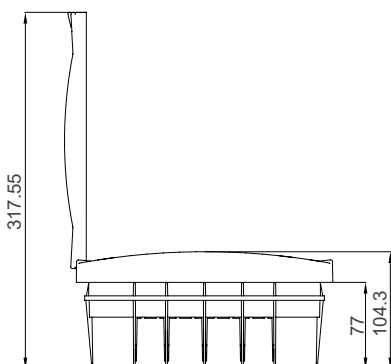
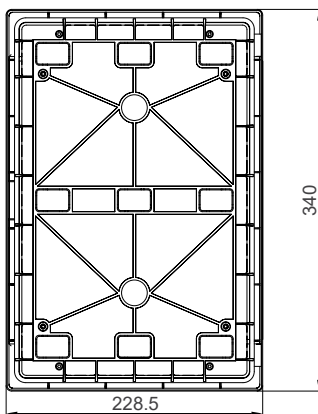
P-Box distribution board under plaster, 16 modules



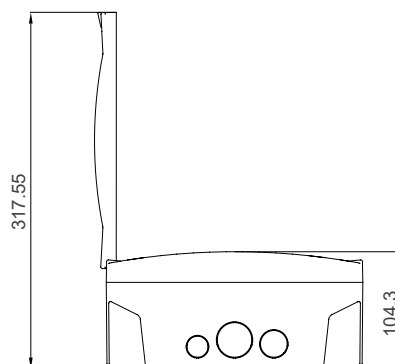
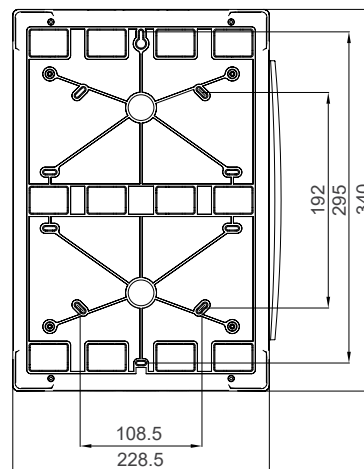
P-Box distribution board above plaster, 16 modules



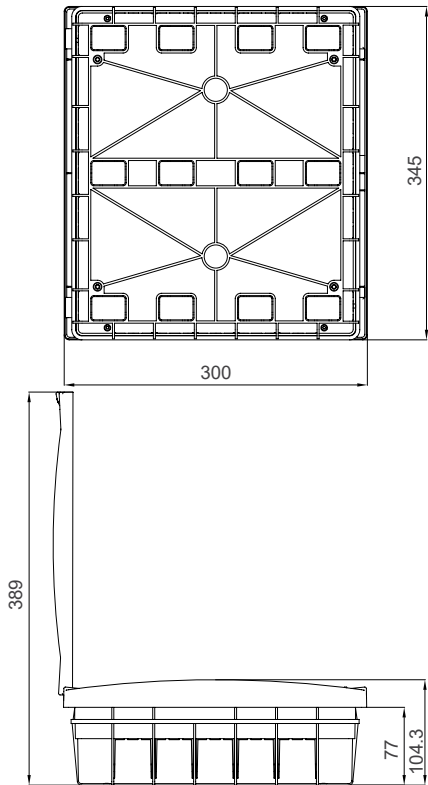
P-Box distribution board under plaster, 16 modules, double row



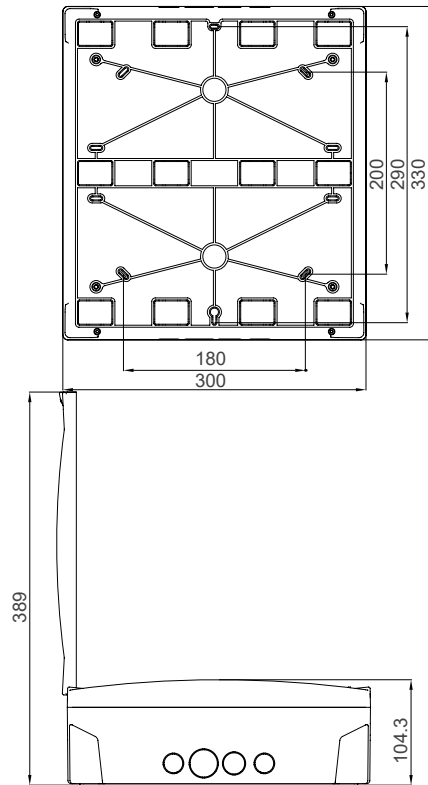
P-Box distribution board above plaster, 16 modules, double row



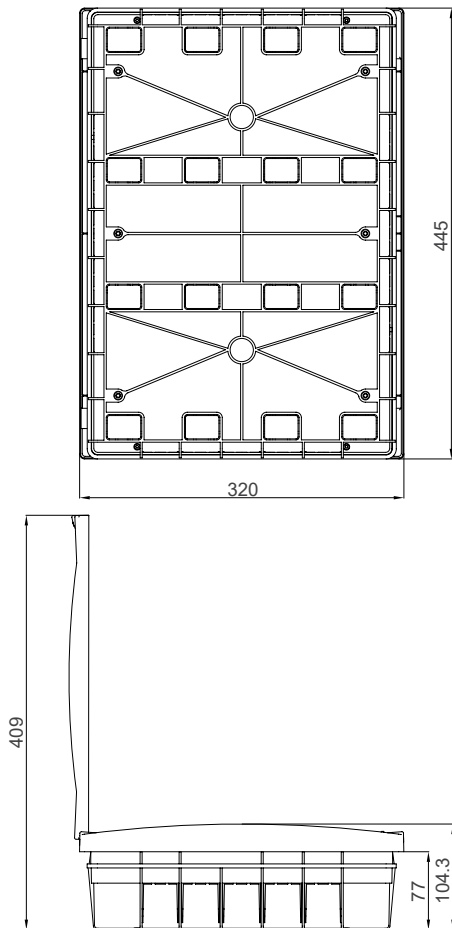
P-Box distribution board under plaster, 24 modules, double row



P-Box distribution board above plaster, 24 modules, double row



P-Box distribution board under plaster, 36 modules, triple row



P-Box distribution board above plaster, 36 modules, triple row

