

# Compact power switches K16J a K32J



## TECHNICAL SPECIFICATIONS :

Norms	STN EN 60 947-3
Rated insulation voltage $U_i$ (V)	690
Rated impulse voltage (kV)	4
Rated thermal current $I_{th}$ / $I_{the}$ (A)	16, 32
Power in AC-3 at 500 V (kW)	7,5 to 11
Rated operating current $I_e$ (A) in AC-23A-500V~	16, 32
Mechanical durability (cycles)	100 000
Max. Cross-section of connecting wires (mm <sup>2</sup> )	16
Fastening	for panel, strip according to STN EN 60715, and on the basis plate with two M4 screws
Coverage	IP20, IP40 from the front of the device IP54 with rubber seal and PH covers
Ambient temperature (°C)	-30 to +55
Switching angle (°)	90

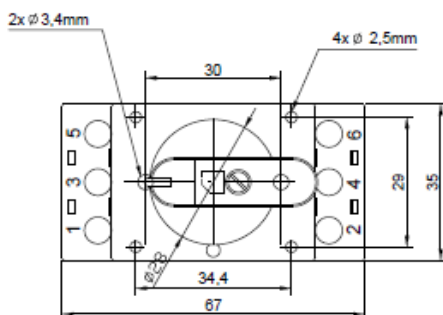
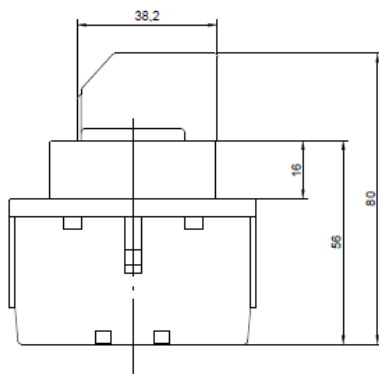
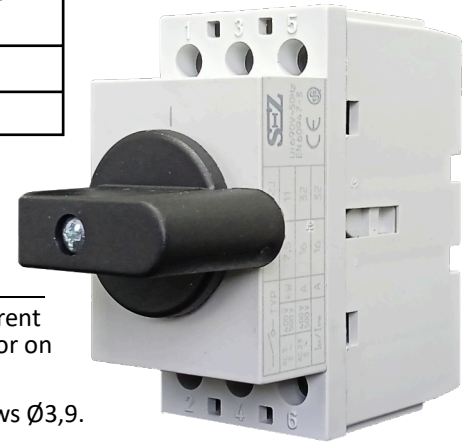
### The use :

- 2 to 5 pole switches in categories AC 21, AC 23, and AC 3 (switches for resistive and inductive loads, motors).
- Switches in 3 and 5-wire distributions with PE and N terminals.

Compact power switches K16J and K32J are double-module three-pole switches with a rated current of 16A and 32A and a switching angle of 90 degrees. The switches can be mounted on a DIN rail or on a mounting plate using M4 screws.

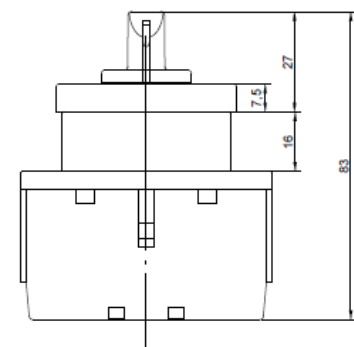
They can also be attached to the front panel of the distribution board with two self-tapping screws  $\varnothing 3,9$ .

Access to the screw heads for connecting wires is in this case from the back of the switch, with the switch having no rear mounting rail. The basic version of the three-pole switches K16J and K32J can be supplemented with the 4th and 5th switched pole or PE and N poles. These units can be attached to the switches without using screws, either from the left or right side.

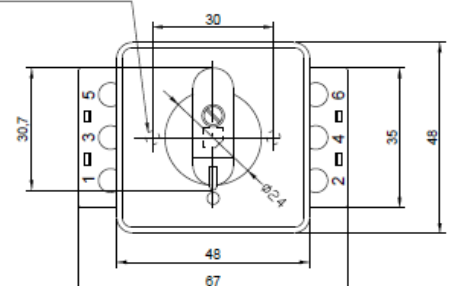


**K32J**

**K32JDM**



Fixing holes 2x  $\varnothing 3,4$  mm



Valid from: 22.11.2024

Krompachy 053 42, Hornádska 585  
Slovak Republic

✉ jana.zahornacka@sez-krompachy.sk  
martina.dankova@sez-krompachy.sk

☎ +421 905 590 545  
+421 917 343 120