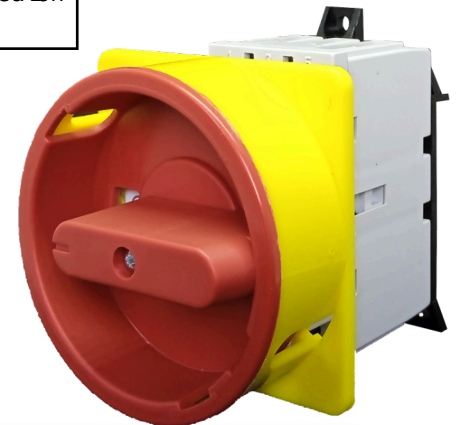


Compact power switches K16J a K32J

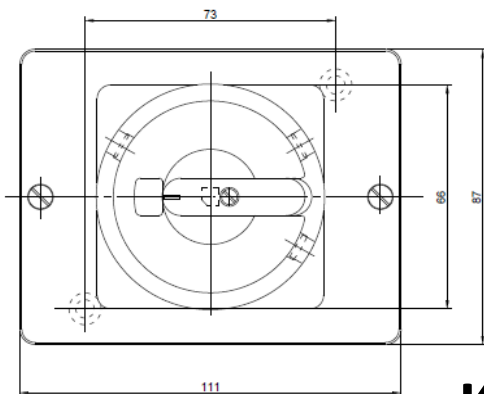
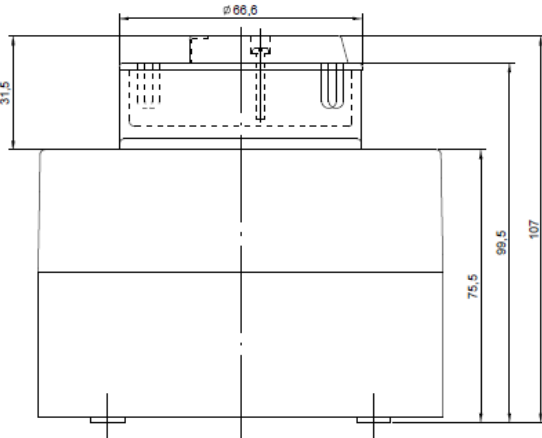


Design :	Type :	DescripCon of execuCon :
Switches with rear mounting	K...JLM	- with a small lever for DIN rail or screws
	K...JB	- with the remote on the door
	K...JP	- in a plastic box with IP54
Panel switches	K...J	- with a lever
	K...JM	- with a small lever
	K...JG	- with lever and seal for IP54 (also for version D, U...)
	K...JD	- with lever and front plate
Accessories	SP 16	- switching pole with terminals 7-8 or 9-10
	SP 32	
	PE 16	- unswitched pole for two grounding wires up to 16mm ²
	PE 32	
	N 16	- Non-switched pole for conductors with a cross-section of 16mm ² for the middle terminal
N 32		

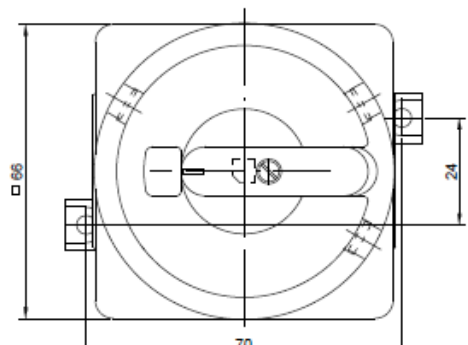
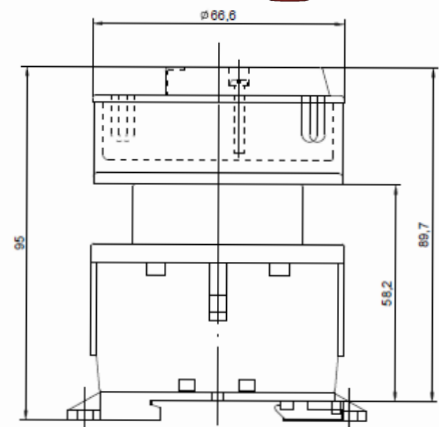
- On the specified types, it is possible to add a front plate and lock it with 3 padlocks U, small lever M, and lever H.
- Switching units SP, PE, and N are mounted on the basic versions of three-pole switches K...J without the use of screws from the left or right side, and can be ordered separately.



K32JLU



K32JPU



Valid from: 22.11.2024

Krompachy 053 42, Hornádska 585
Slovak Republic

jana.zahornacka@sez-krompachy.sk
martina.dankova@sez-krompachy.sk

+421 905 590 545
+421 917 343 120